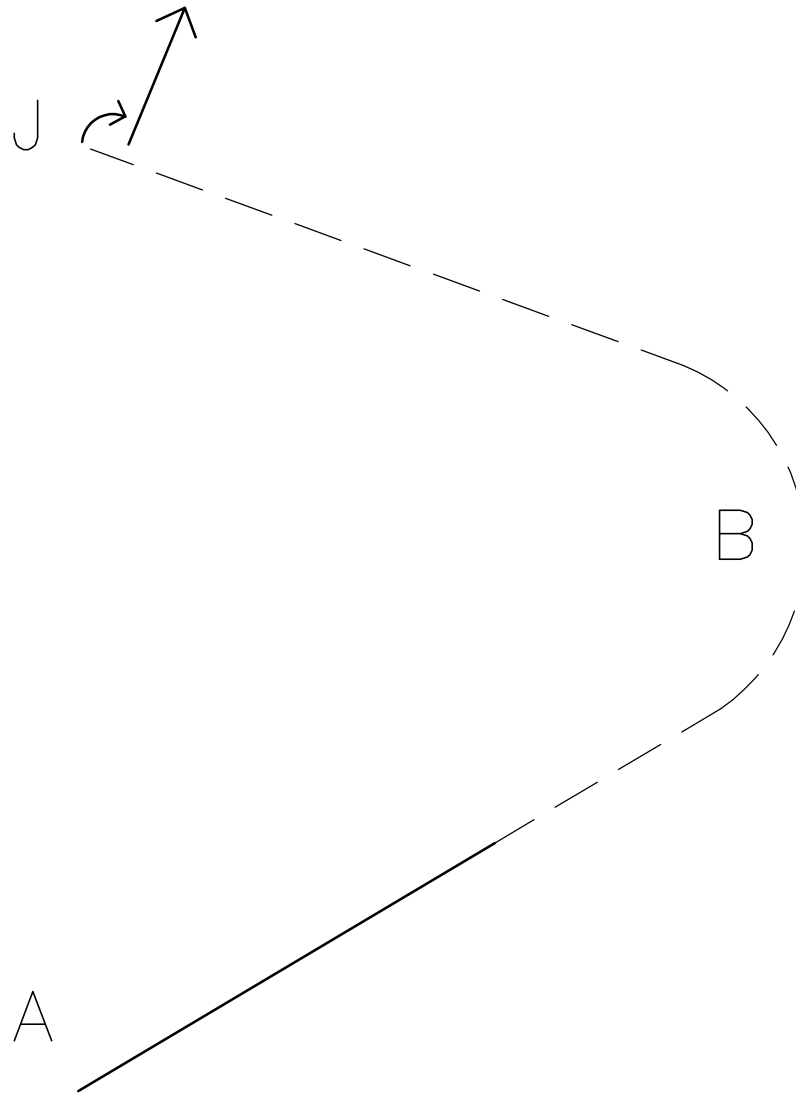


# GREELEY SADDLE CLUB

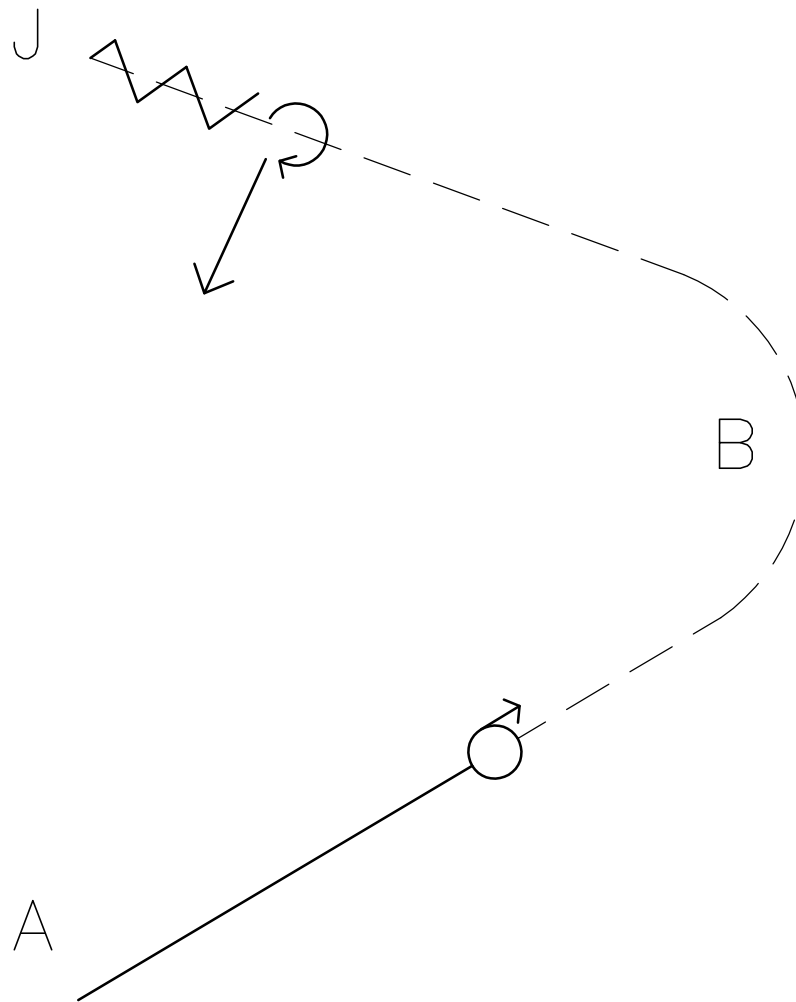
Showmanship - Age Groups 5 & Under, 6-9, & 10-13



1. Start at A.
2. Walk halfway to B and trot to and around B.
3. Continue on to the Judge. Set up for inspection.
4. When dismissed, complete a 90° turn and walk to line up.

# GREELEY SADDLE CLUB

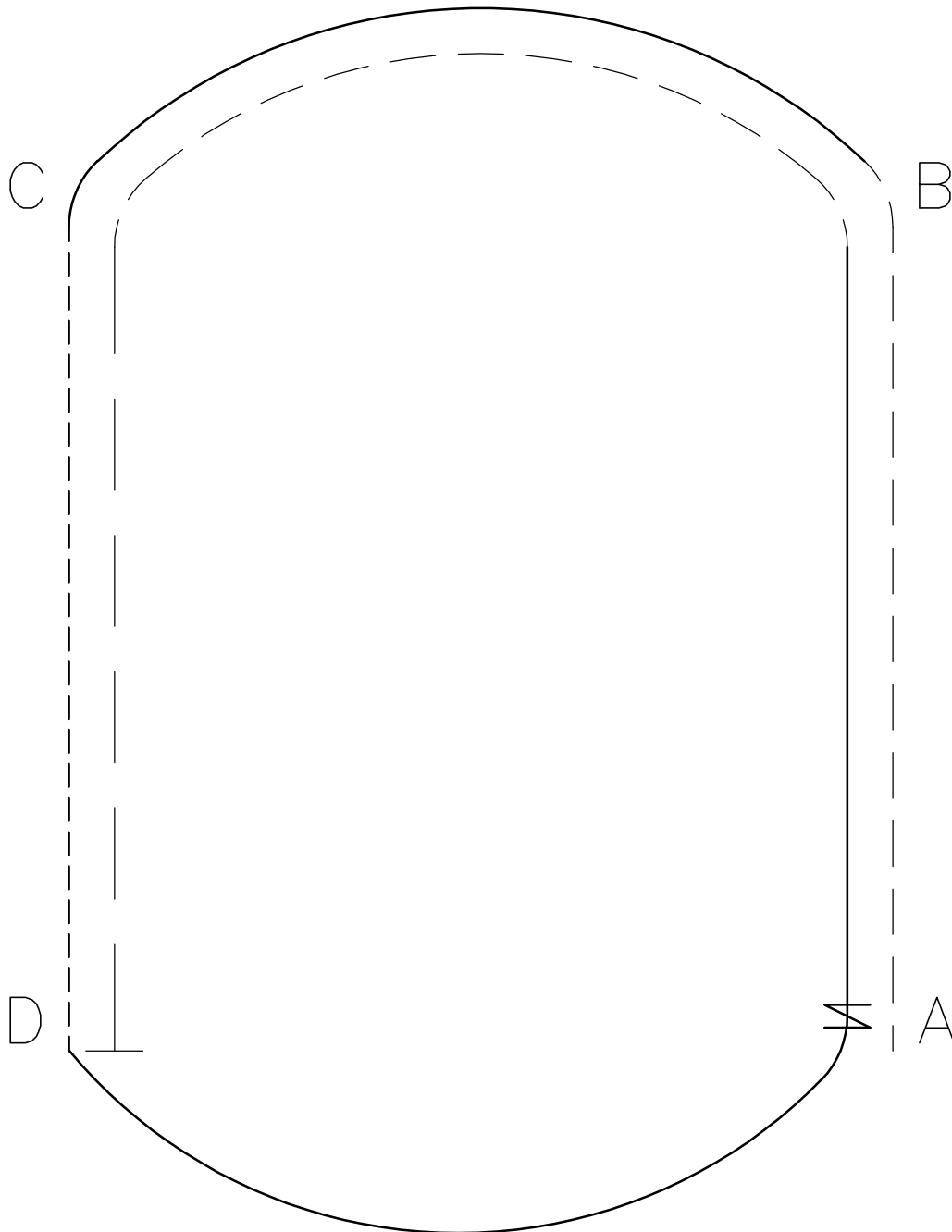
Showmanship - Age Groups 14-18, 19-39, 40 & Over



1. Start at A.
2. Walk halfway to B and stop. Execute a 360° turn.
3. Trot to and around B, continue on to the Judge.
4. Set up for inspection.
5. When dismissed, back 6 steps and then complete a 270° turn. Walk to line up.

# GREELEY SADDLE CLUB

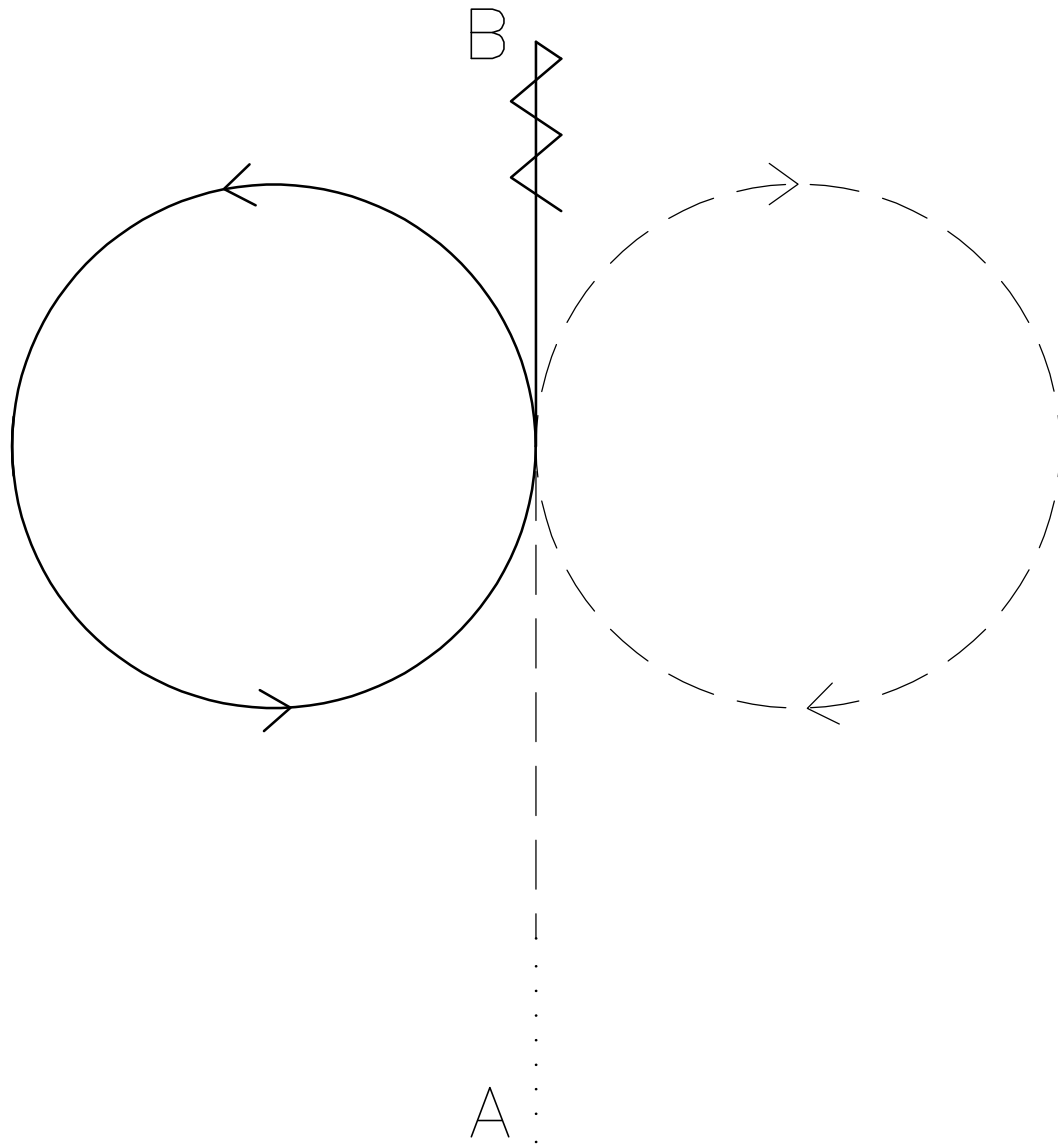
## English Equitation - All Ages



1. Posting trot A to B on right diagonal.
2. Canter left lead B to C as shown.
3. Collected trot C to D.
4. Canter left lead D to A as shown.
5. Execute a simple lead change at A and canter right lead to B.
6. Posting trot B to C as shown on the right diagonal.
7. Extended trot C to D and halt at D.

# GREELEY SADDLE CLUB

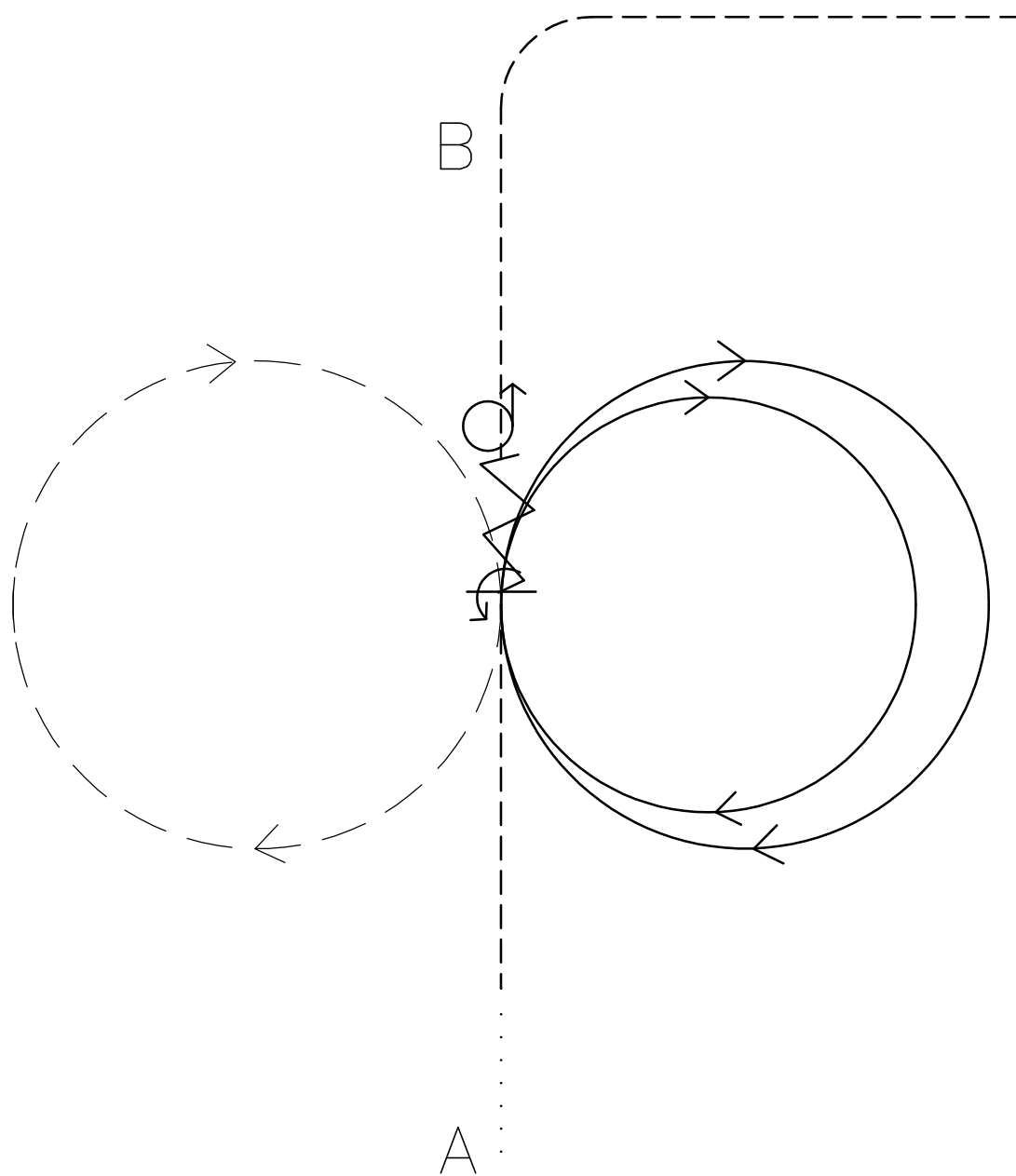
## Horsemanship - Age Groups 6-9 & 10-13



1. Walk just past A then jog towards B.
2. Jog a circle to the right between A and B.
3. Lope a circle to left on the left lead between A and B. Continue to B.
4. Stop at B. Back 5 steps.
5. Jog to return to line up.

# GREELEY SADDLE CLUB

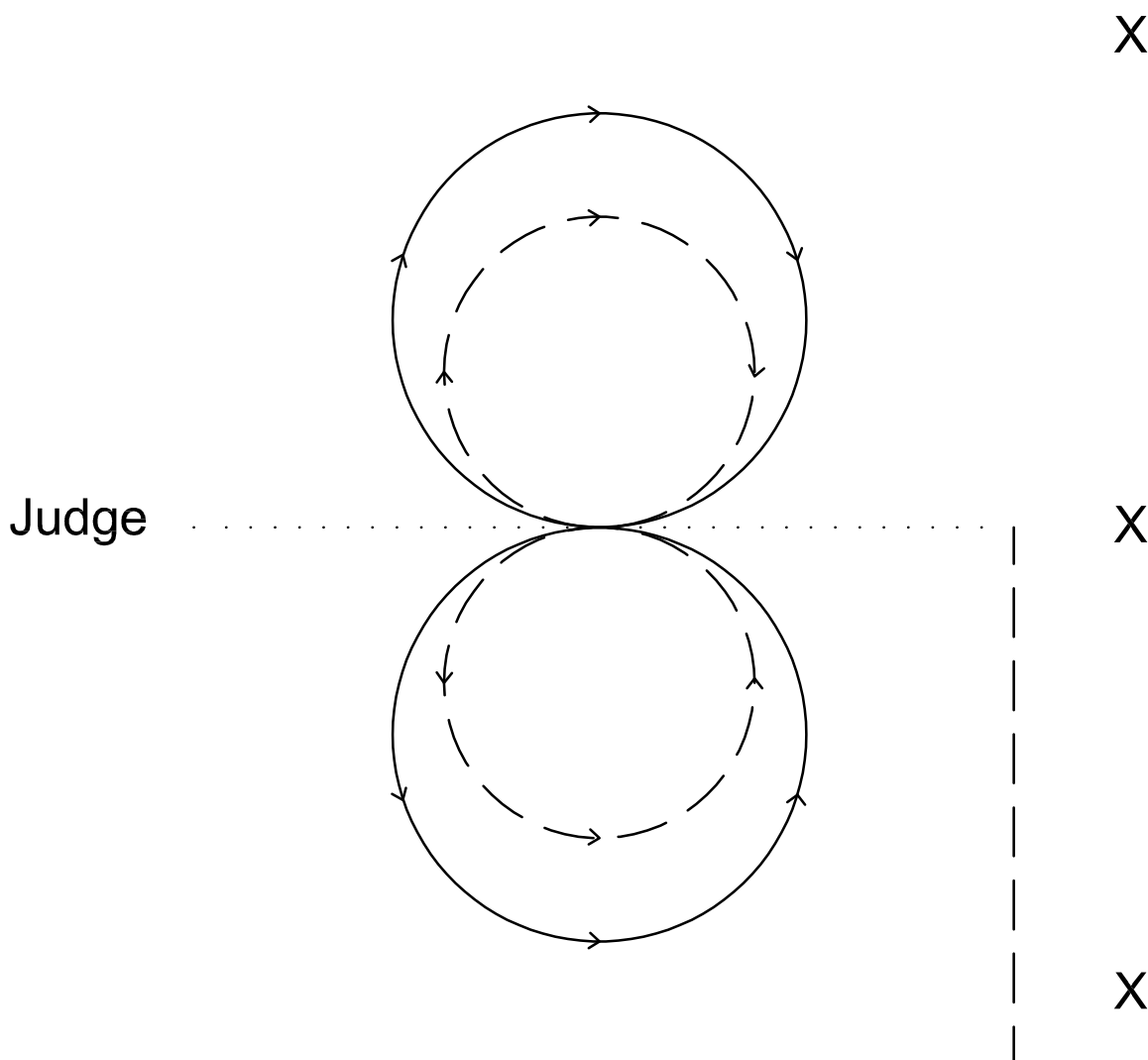
Horsemanship - Age Groups 14-18, 19-39, 40 & Over



1. Walk just past A then jog towards B.
2. Between B and A, lope a circle to the right on the right lead followed by a faster larger circle.
3. Stop at the center. Complete a half turn to the left.
4. Extended jog a circle to the right. Stop at the center.
5. Back one horse length. Complete a one and half turn to the right.
6. Jog towards B and continue to jog to line up.

# GREELEY SADDLE CLUB

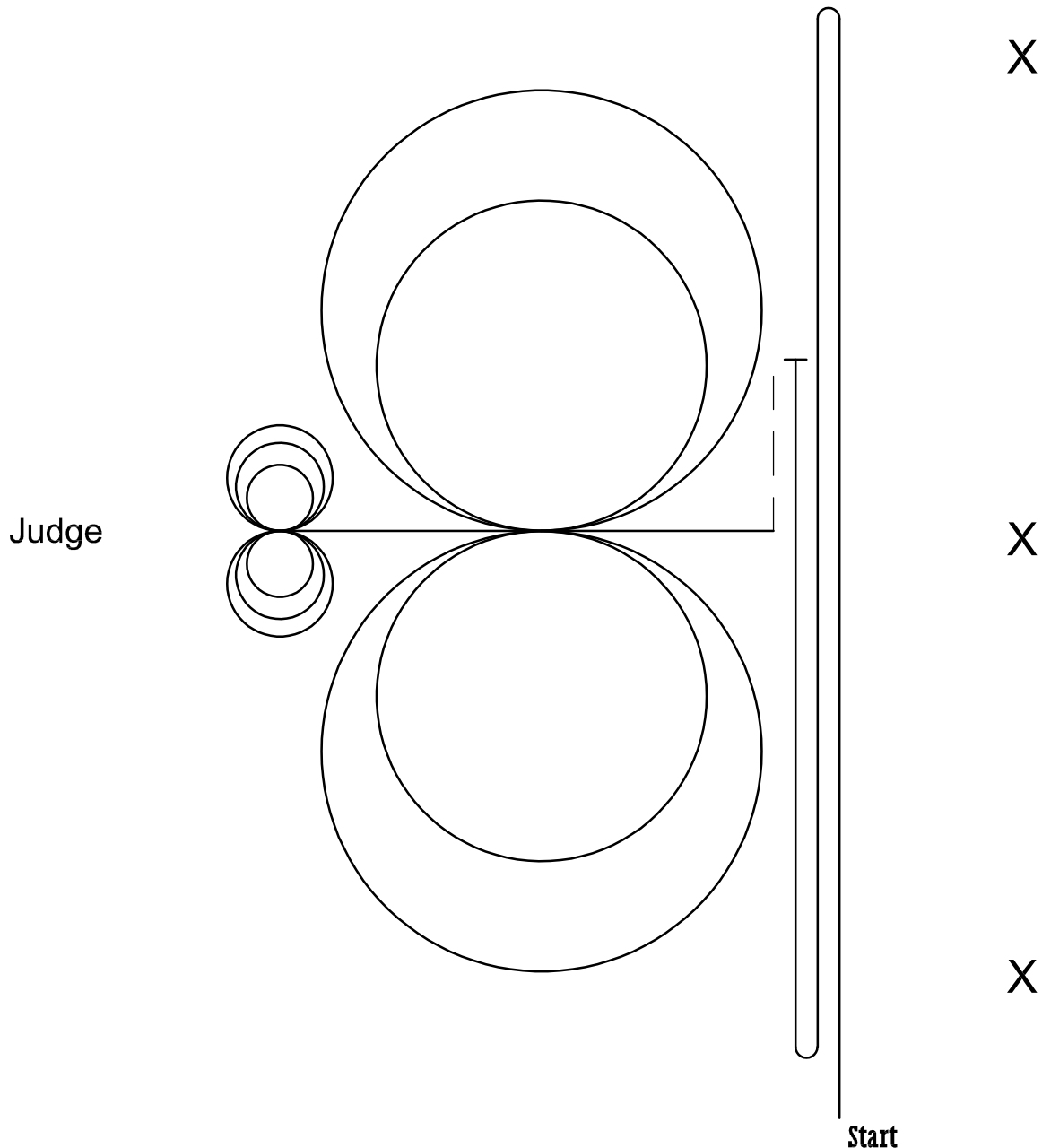
## Reining - Age Group 6-9



1. Trot in a straight line to the center marker, at least 20 feet from the rail.
2. Gradual stop through the walk.
3. Turn left, walk to center.
4. Trot a circle to the right.
5. Lope a circle to the right.
6. At the center, slow to a trot and trot a circle to the left.
7. Lope a circle to the left. At the center slow to a walk.
8. Walk to the judge for inspection.

# GREELEY SADDLE CLUB

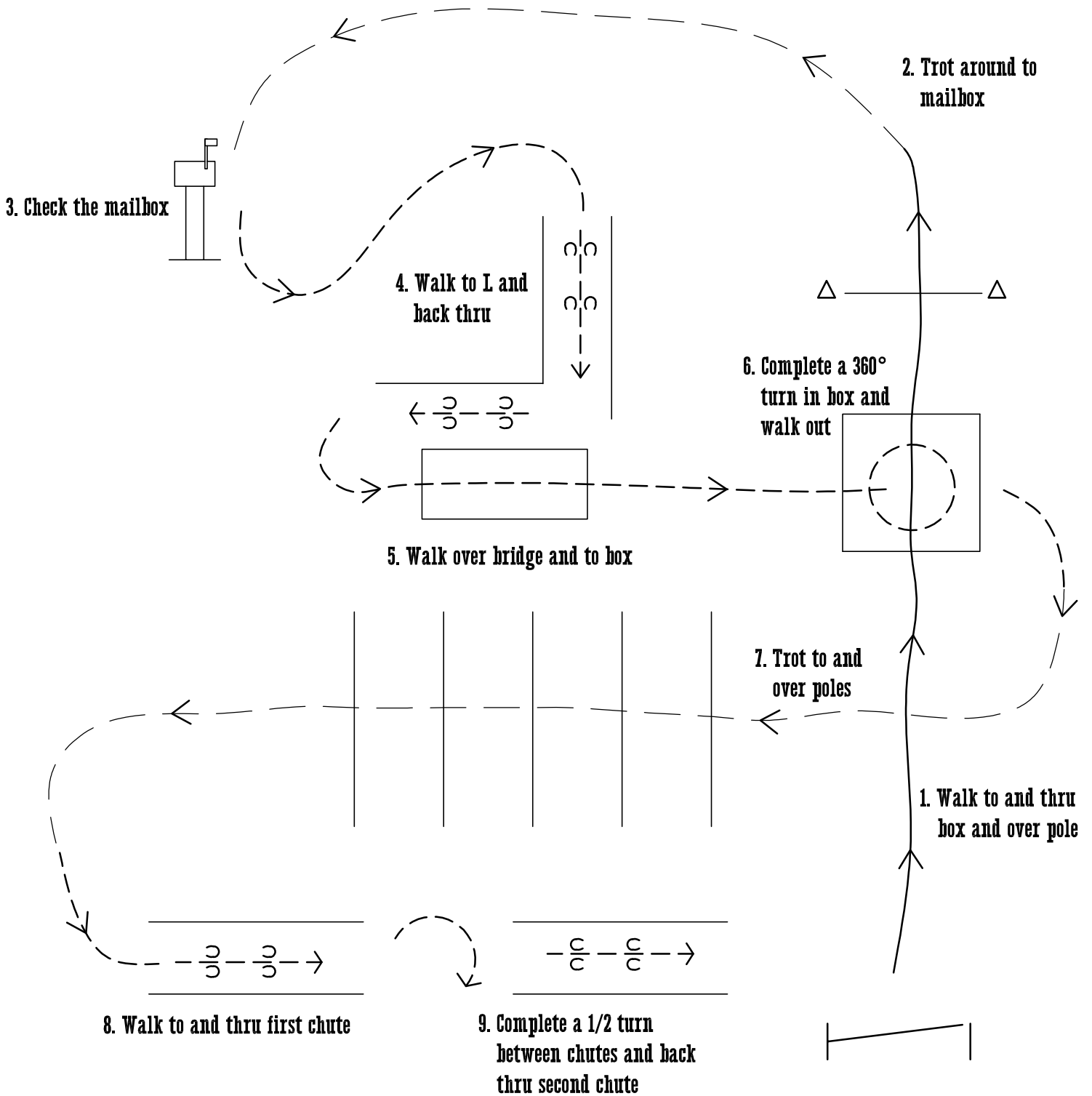
Reining - Age Groups 10-13, 14-18, 19-39, 40 & Over



1. Start on the right side of the arena. Run down and roll back left past the end marker.
2. Run down and roll back right past the end marker.
3. Run past the center marker and stop. Back to the center. Turn 90° to face the center of the arena.
4. Complete two circles to the left with the first being small, slow and the second larger and faster.
5. Change leads at the center of the arena.
6. Complete two circles to the right with the first being small, slow and the second larger and faster.
7. Stop just past the center of the arena. Complete three spins to the right.
8. Hesitate. Complete three spins to the left.

# GREELEY SADDLE CLUB

## Trail - Age Groups 5 & Under, 6-9, & Novice





# GREELEY SADDLE CLUB

Trail - Age Groups 10-13, 14-18, 19-39, 40 & Over

