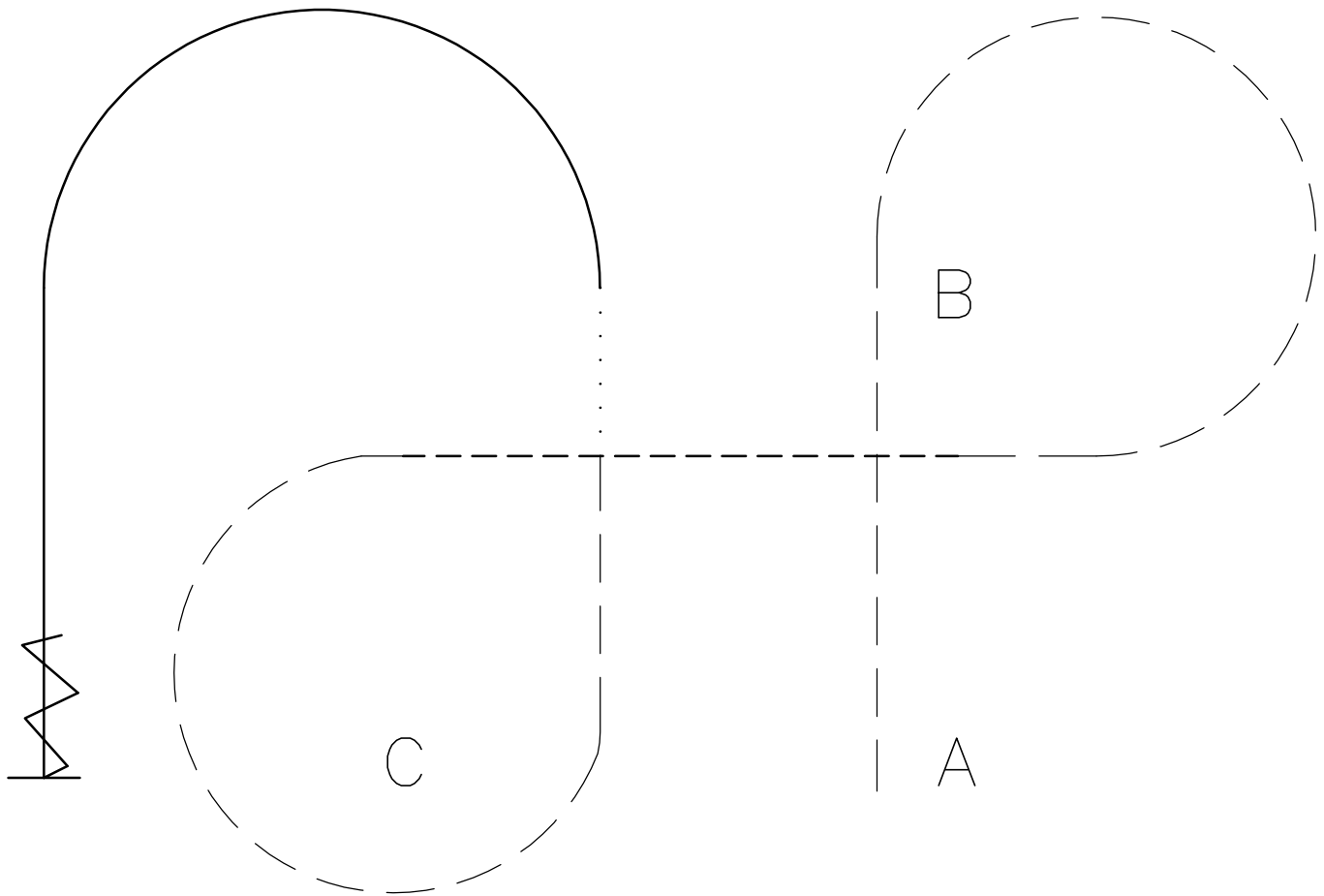


GREELEY SADDLE CLUB

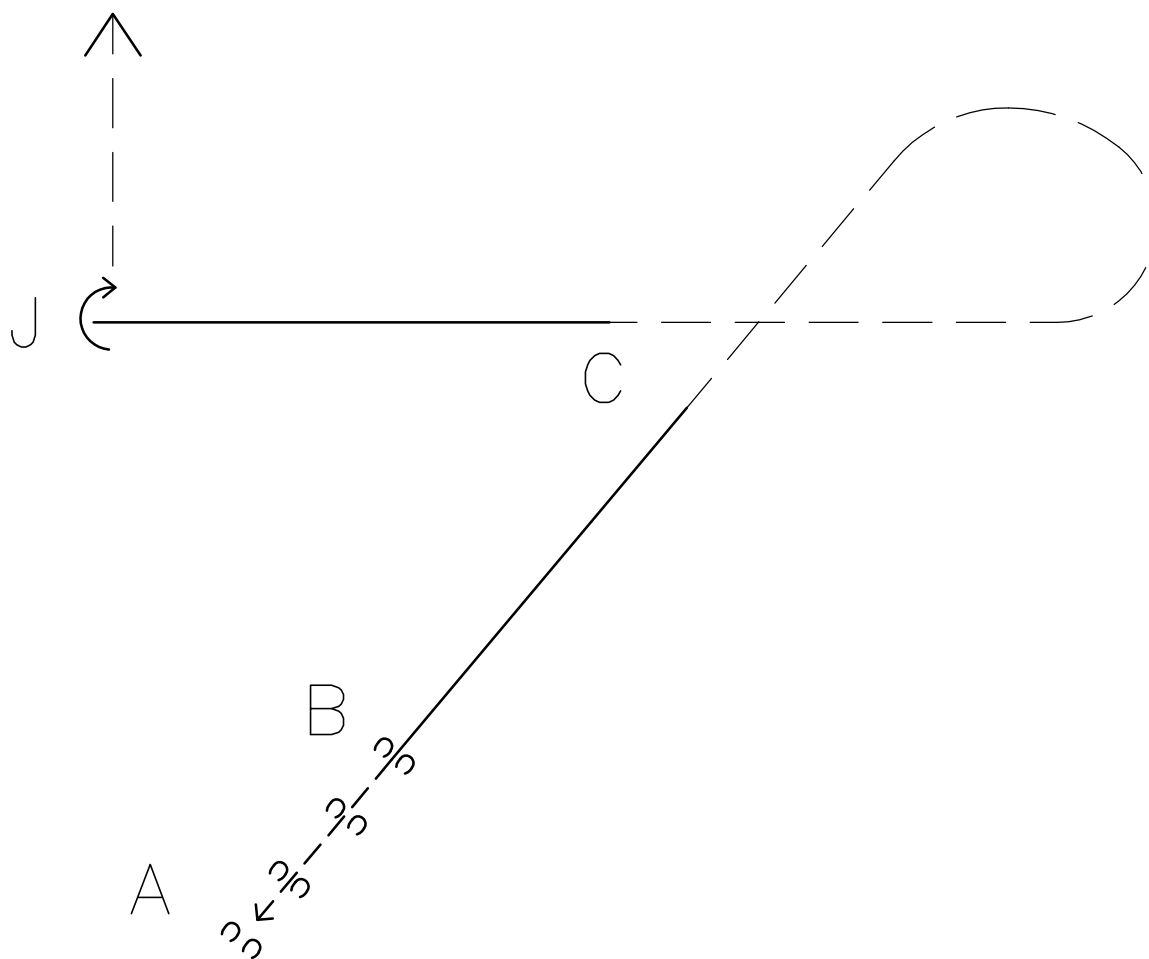
English Equitation - All Ages



1. Starting at A, posting trot to and around B.
2. Continue on a sitting trot towards C.
3. Posting trot around C as shown.
4. Break to a walk for a few strides.
5. Canter on the left lead around back to C as shown.
6. Stop at C. Back 2 horse lengths.

GREELEY SADDLE CLUB

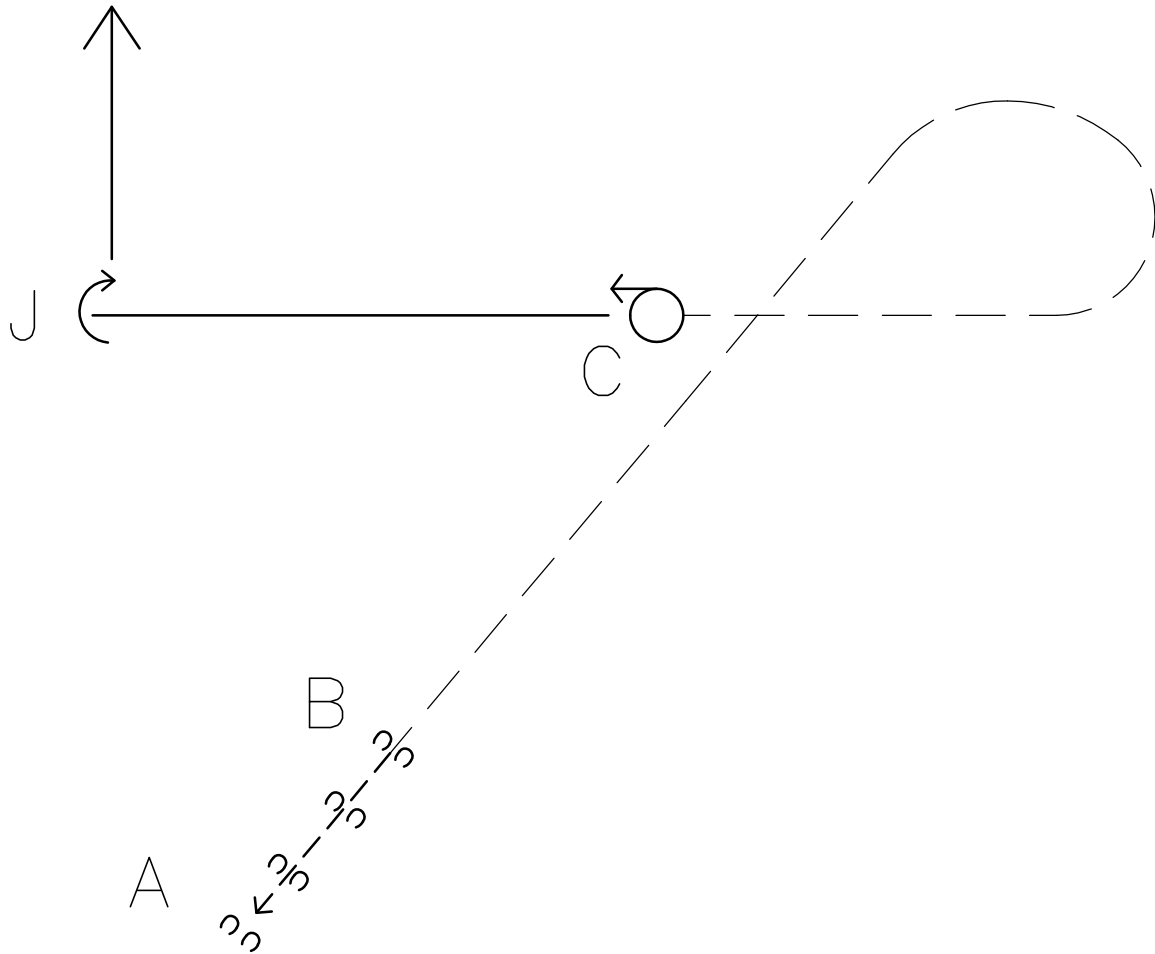
Showmanship - Age Groups 5 & Under, 6-9, & 10-13



1. Start at B.
2. Back to A.
3. Walk from A to C.
4. Trot away from C and loop back to C as shown.
5. Walk from C to the Judge.
6. Set up for inspection.
7. When dismissed, complete a 90° turn and trot to line up.

GREELEY SADDLE CLUB

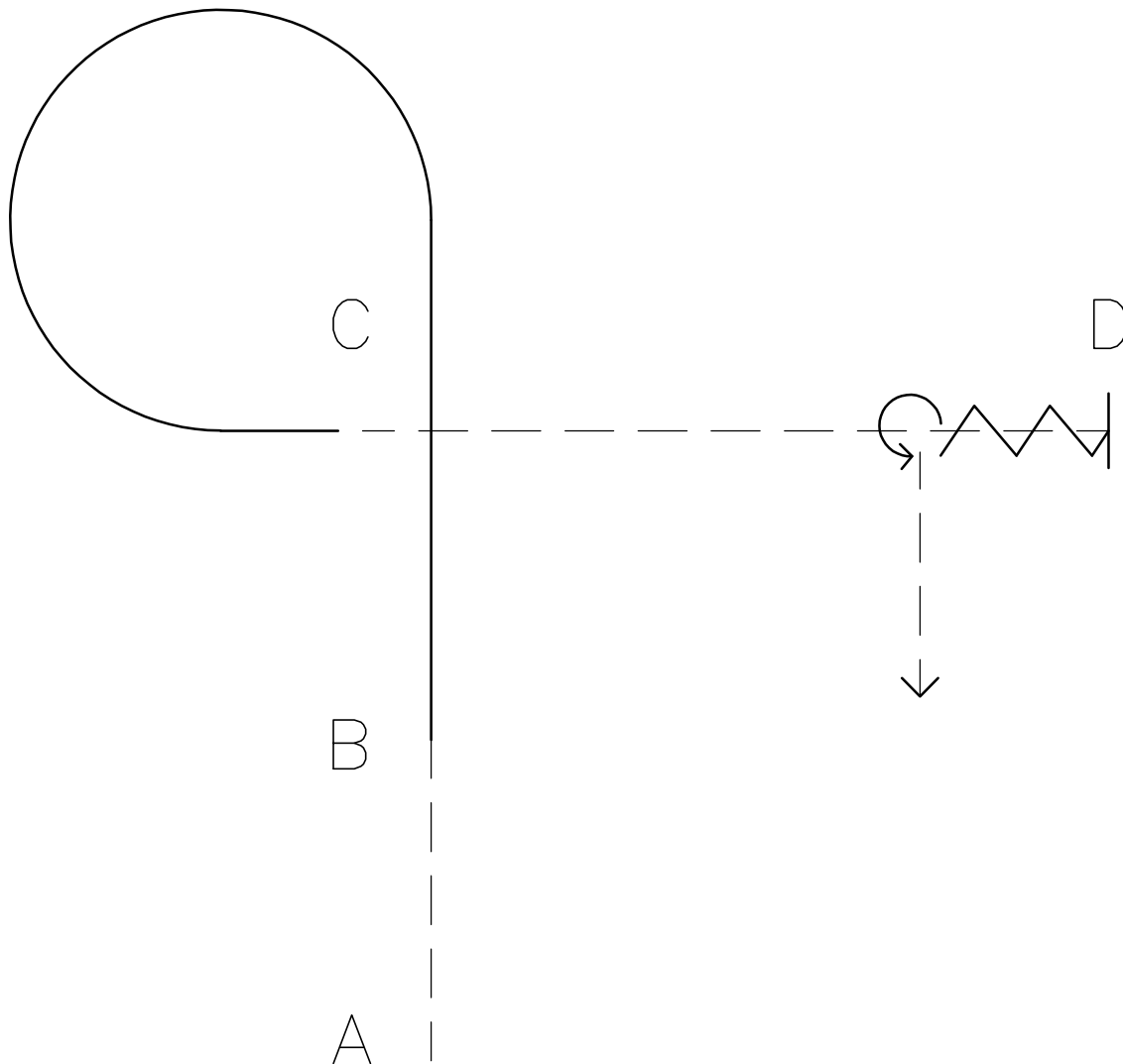
Showmanship - Age Groups 14-18, 19-39, 40 & Over



1. Start at B.
2. Back to A.
3. Trot from A to C.
4. Trot away from C and loop back to C as shown.
5. Stop at C and perform a 360° turn.
6. Walk to the Judge and setup for inspection.
7. When dismissed, complete a 90° turn and walk to line up.

GREELEY SADDLE CLUB

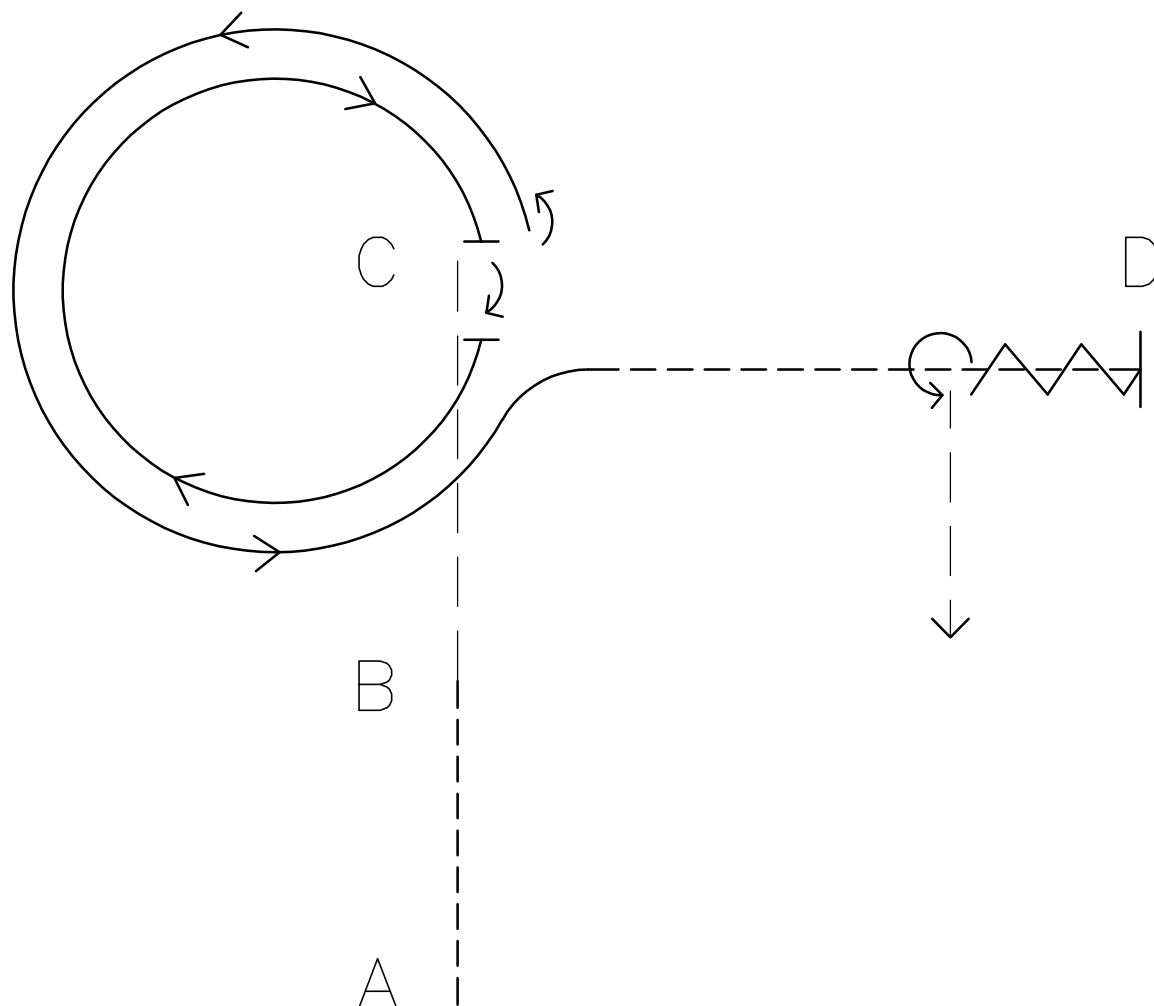
Horsemanship - Age Groups 6-9 & 10-13



1. Jog from A to B.
2. Lope on the left lead from B to C. Continue on a circle around C as shown.
3. Trot from C to D.
4. Stop at D. Back 2 horse lengths.
5. Complete 270° turn to the left. Jog to line up.

GREELEY SADDLE CLUB

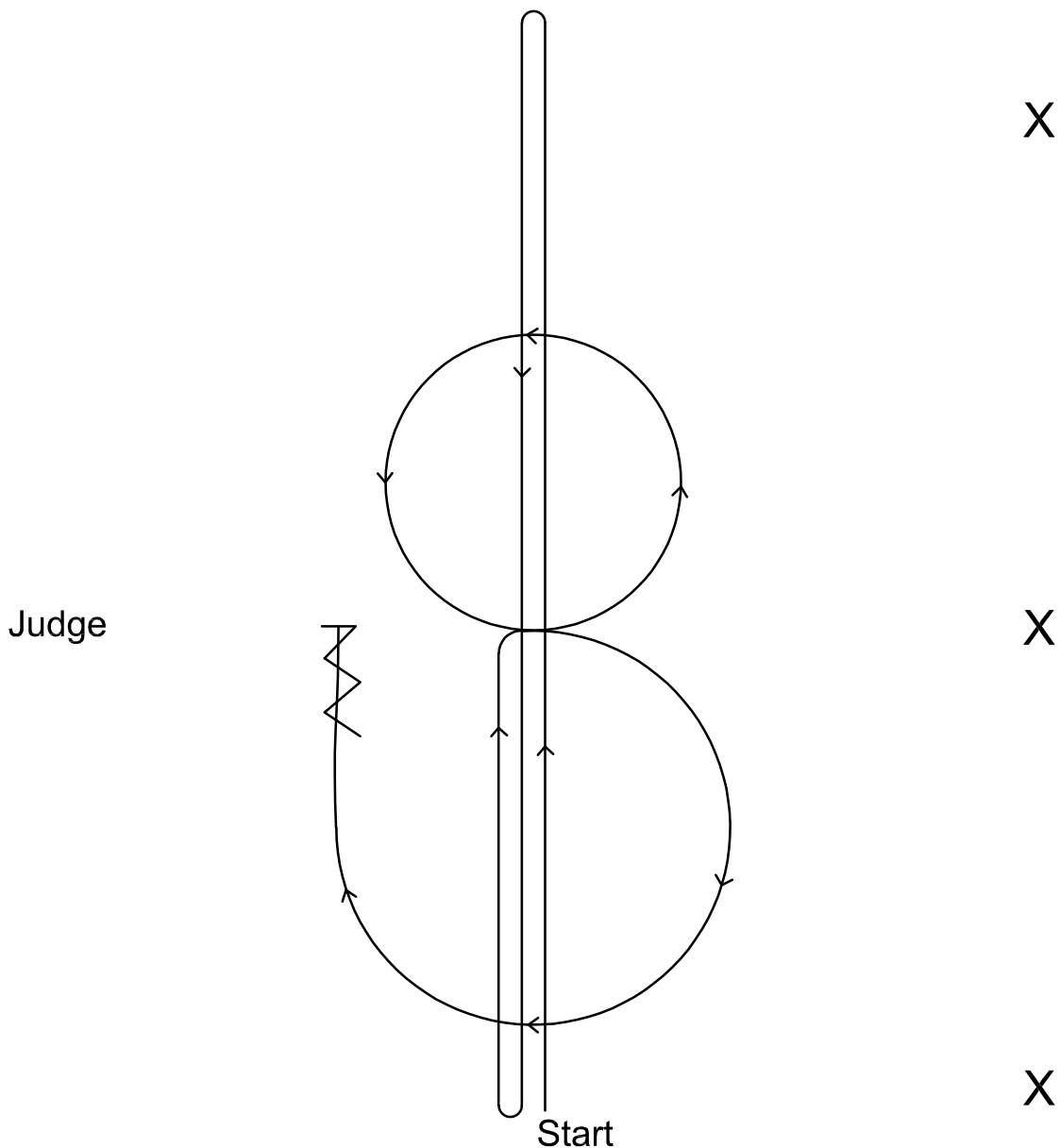
Horsemanship - Age Groups 14-18, 19-39, 40 & Over



1. Jog from A to B.
2. Extended jog from B to C.
3. Stop at C. Complete a 180° turn to the right.
4. Lope a circle on the right lead around C. Stop when back at C.
5. Complete a 180° turn to the left. Lope a circle on the left lead around C.
6. Do not close the circle. Jog to D as shown.
7. Stop at D. Back 2 horse lengths.
8. Complete 270° turn to the left. Extended jog to line up.

GREELEY SADDLE CLUB

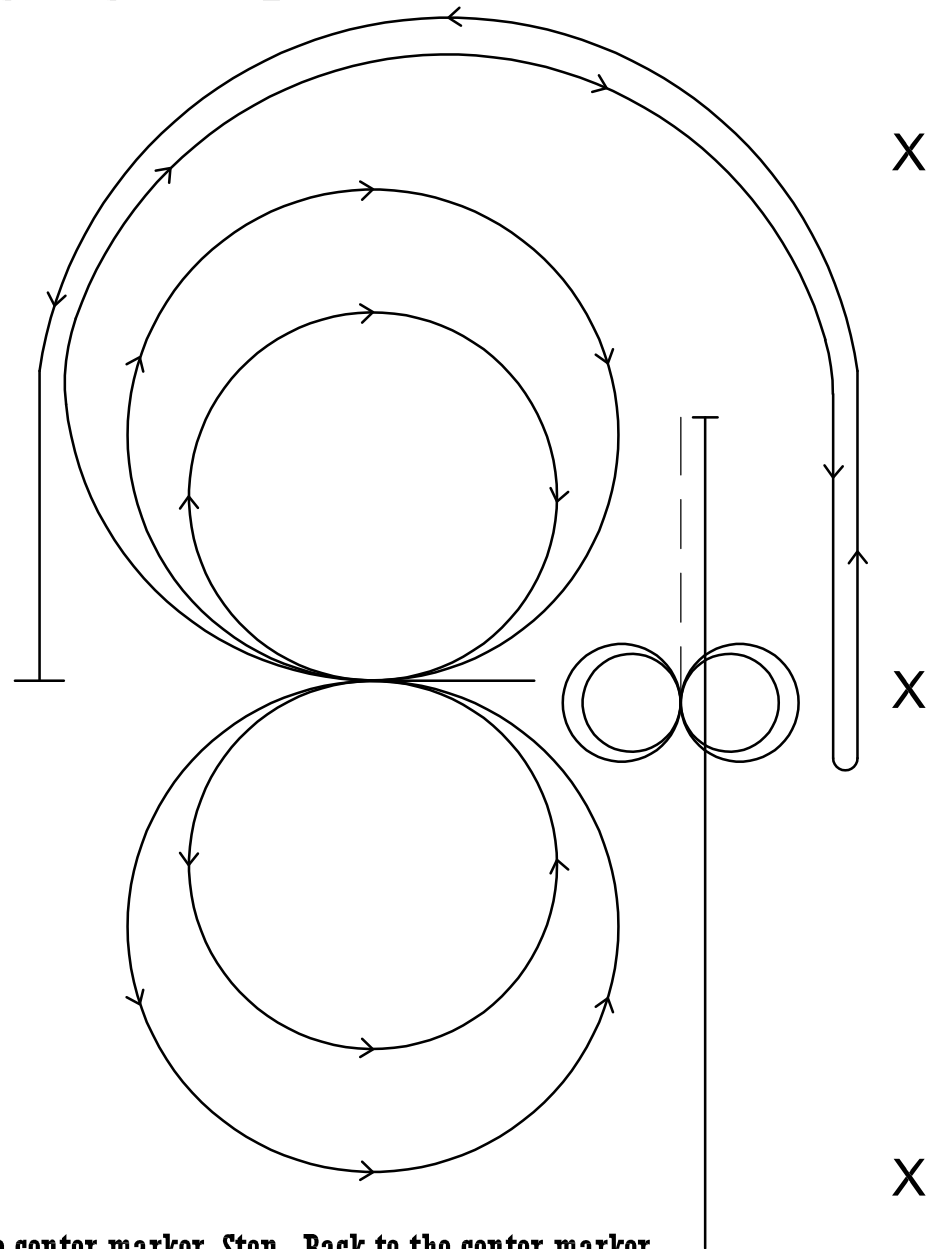
Reining - Age Groups 6-9



1. Run down past the end marker. Stop. Roll back to the left.
2. Run down past the other end marker. Stop. Roll back to the right.
3. Run to the center and stop.
4. Complete a 1/4 turn to the right.
5. Ride a small slow circle to the left.
6. Change leads at the center and ride a larger faster circle to the right.
7. Don't fully close circle and stop at center marker as shown.
8. Back. Hesitate. Ride to judge for inspection.

GREELEY SADDLE CLUB

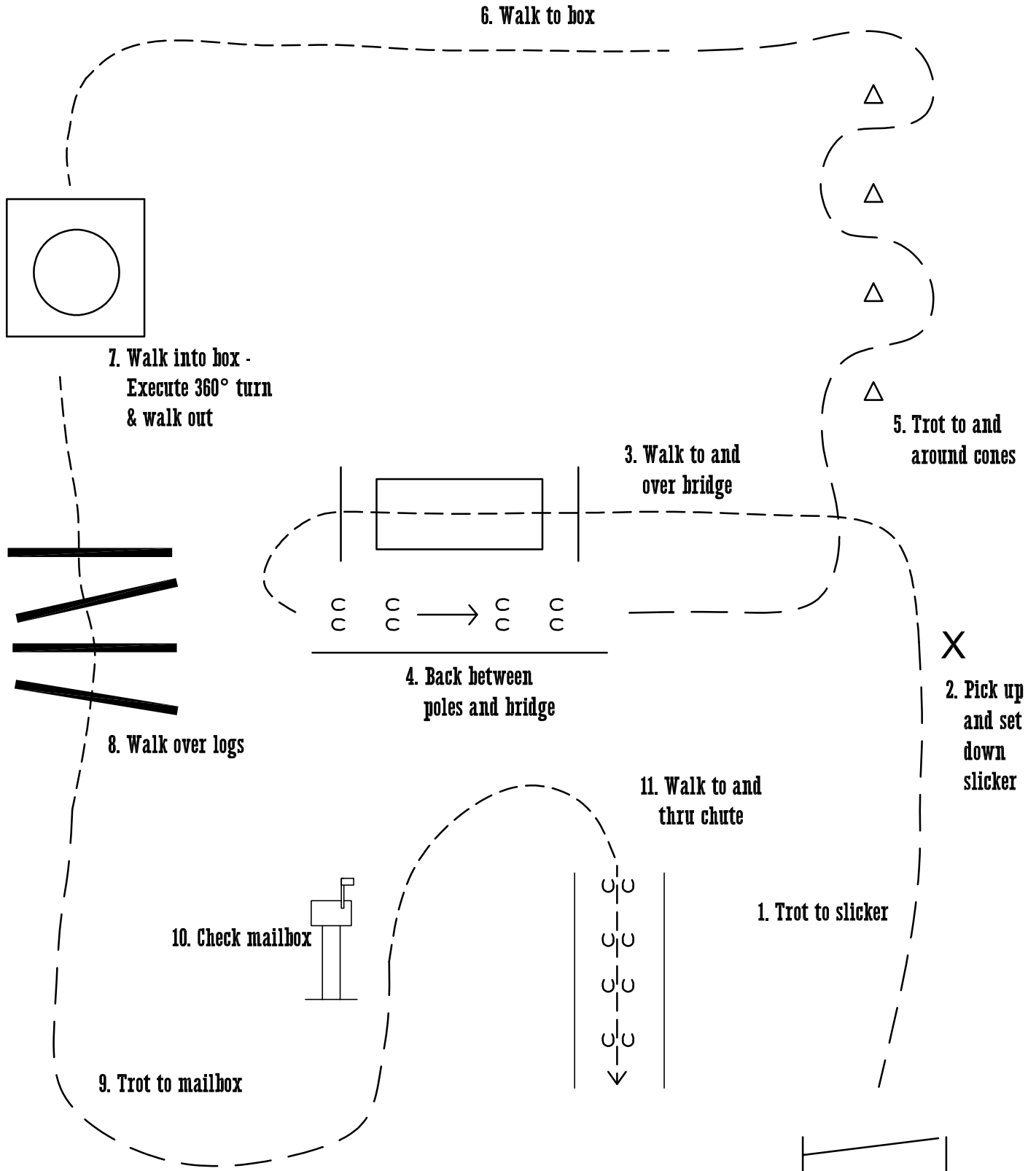
Reining - Age Groups 10-13, 14-18, 19-39, 40 & Over



1. Run down past the center marker. Stop. Back to the center marker.
2. Complete two spins to the right.
3. Complete two and a quarter spins to the left.
4. Run two circles to the right with the first being smaller and slower and the second larger and faster.
5. Change leads at the center and complete two circles to the left the first smaller and slower and the second larger and faster.
6. Change leads at the center and start a circle to right, but do not close it. Run past the center marker and complete a rollback towards the fence.
7. Run back around the arena past the center marker and complete stop. Hesitate to show pattern completion.

GREELEY SADDLE CLUB

Trail - Age Groups 5 & Under, 6-9, & Novice



GREELEY SADDLE CLUB

Trail - Age Groups 10-13, 14-18, 19-39, 40 & Over

