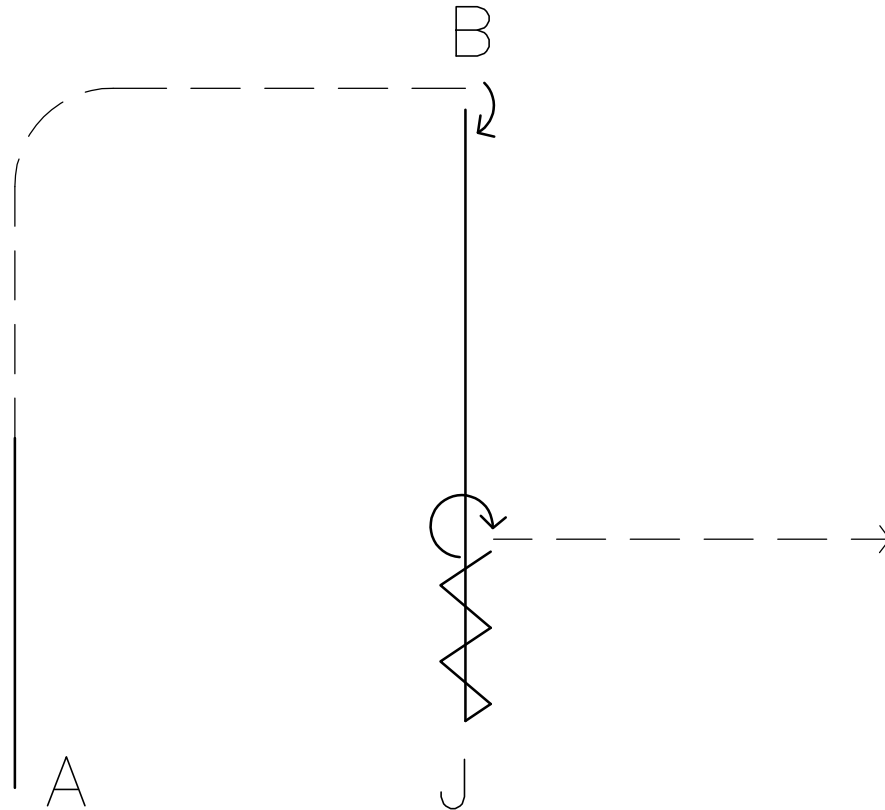


GREELEY SADDLE CLUB

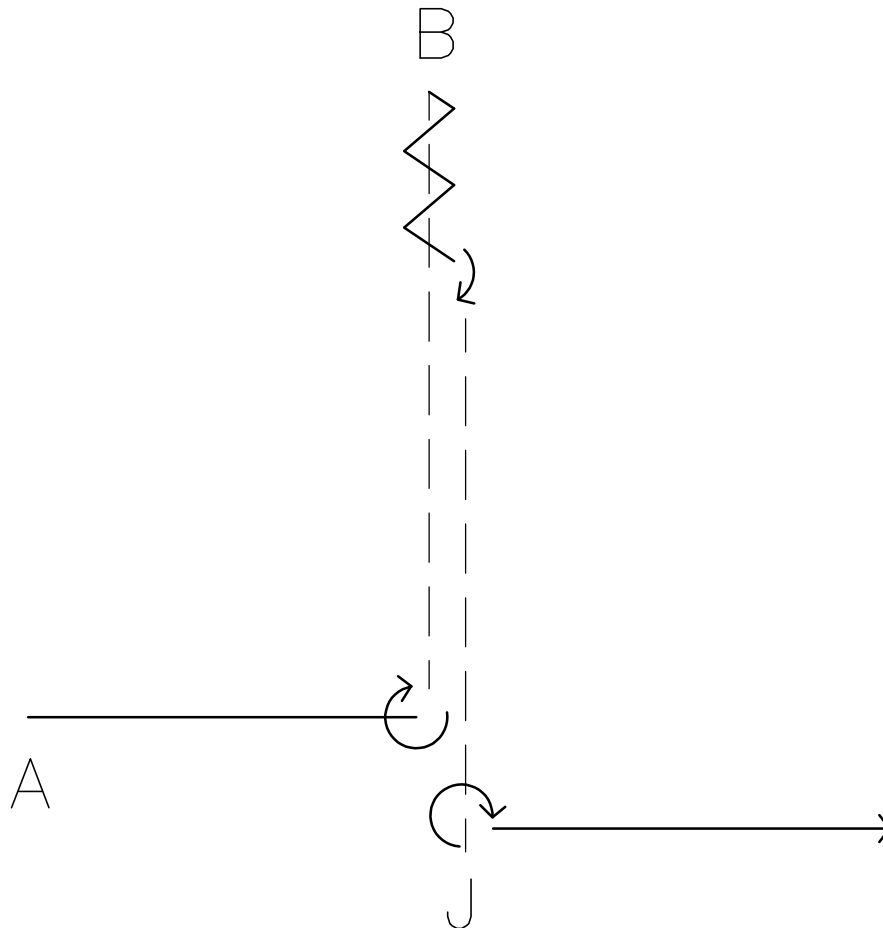
Showmanship - Age Groups 5 & Under, 6-9, & 10-13



1. Start at A. Walk halfway to B.
2. Trot around corner to B. Stop at B.
3. Complete a 90° turn and walk to the Judge. Set up for inspection.
4. When dismissed, back 4 steps.
5. Complete a 270° turn. Trot to line up.

GREELEY SADDLE CLUB

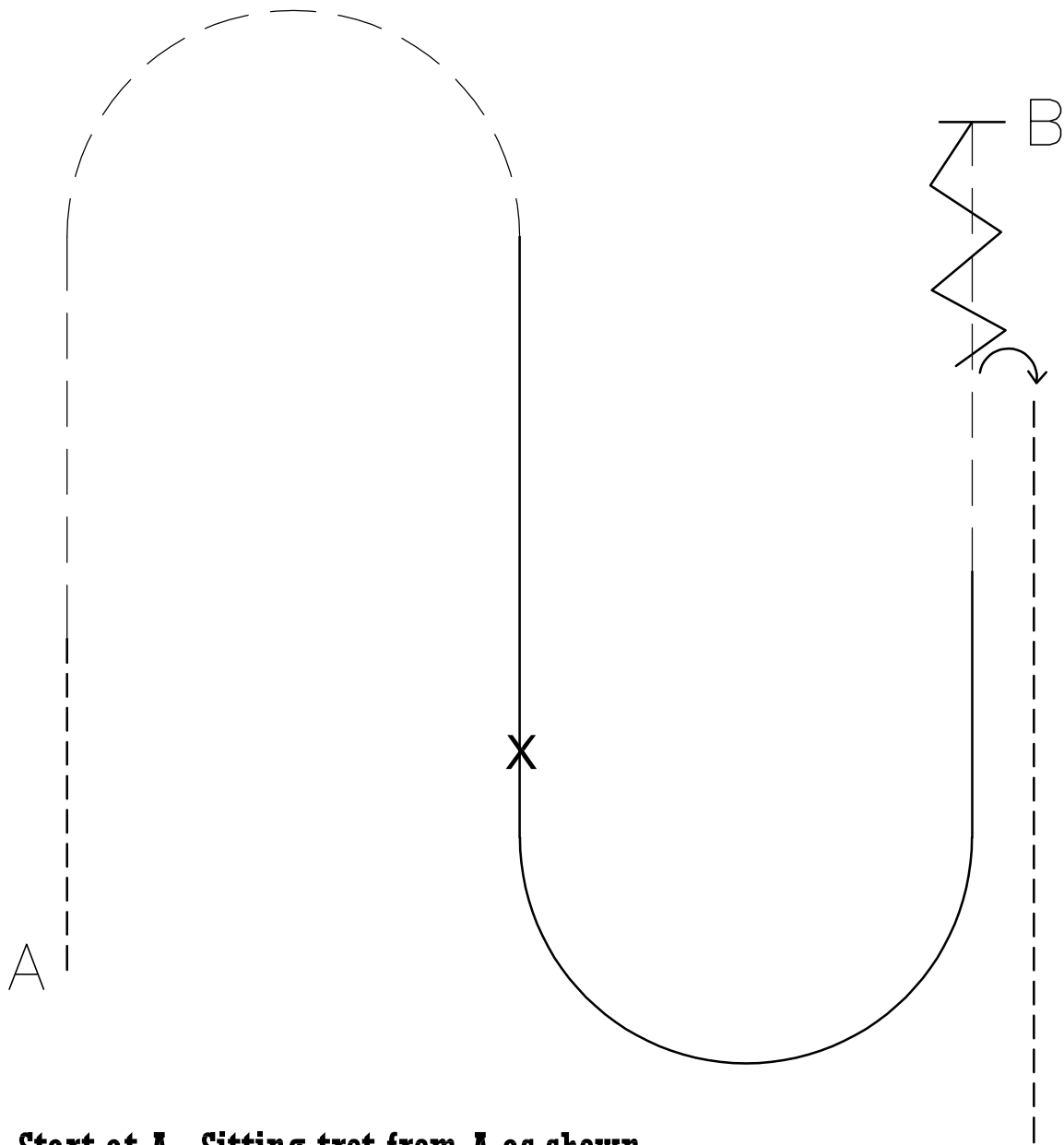
Showmanship - Age Groups 14-18, 19-39, 40 & Over



1. Start at A. Walk until aligned with B. Complete a 270° turn towards B.
2. Trot to B. Stop and back 4 steps at B.
3. Complete a 180° turn and trot to the Judge. Set up for inspection.
4. When dismissed, complete a 270° turn.
5. Walk to line up.

GREELEY SADDLE CLUB

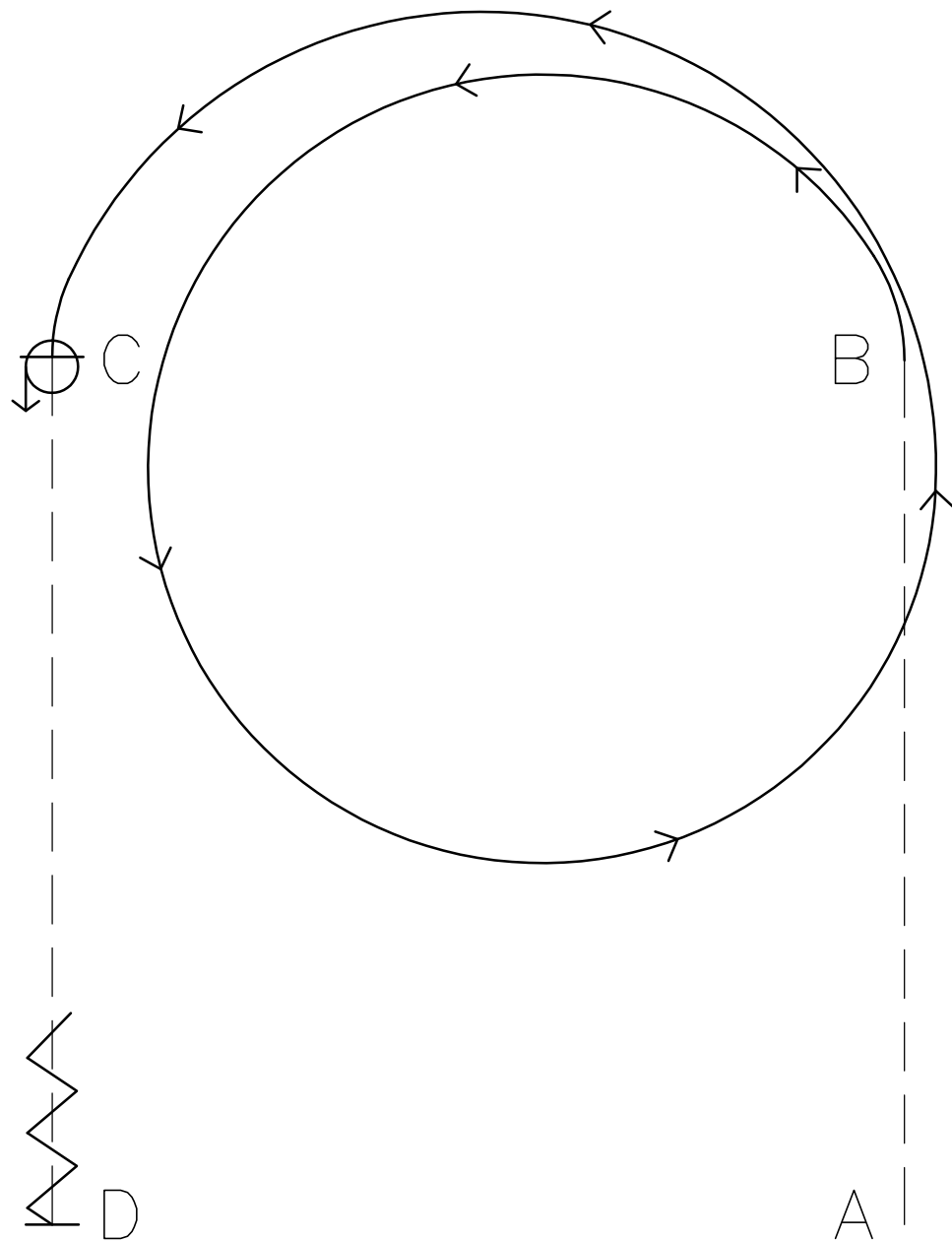
English Equitation - All Ages



1. Start at A. Sitting trot from A as shown.
2. Pick up a left diagonal posting trot and complete a half circle.
3. On the straight, canter on the right lead.
4. Perform a simple lead change to the left lead, and complete a half circle.
5. Break down to a right diagonal posting trot to B.
6. Stop at B. Back 5 steps. Complete a 180° hind pivot to the right.
7. Collected sitting trot back to line up.

GREELEY SADDLE CLUB

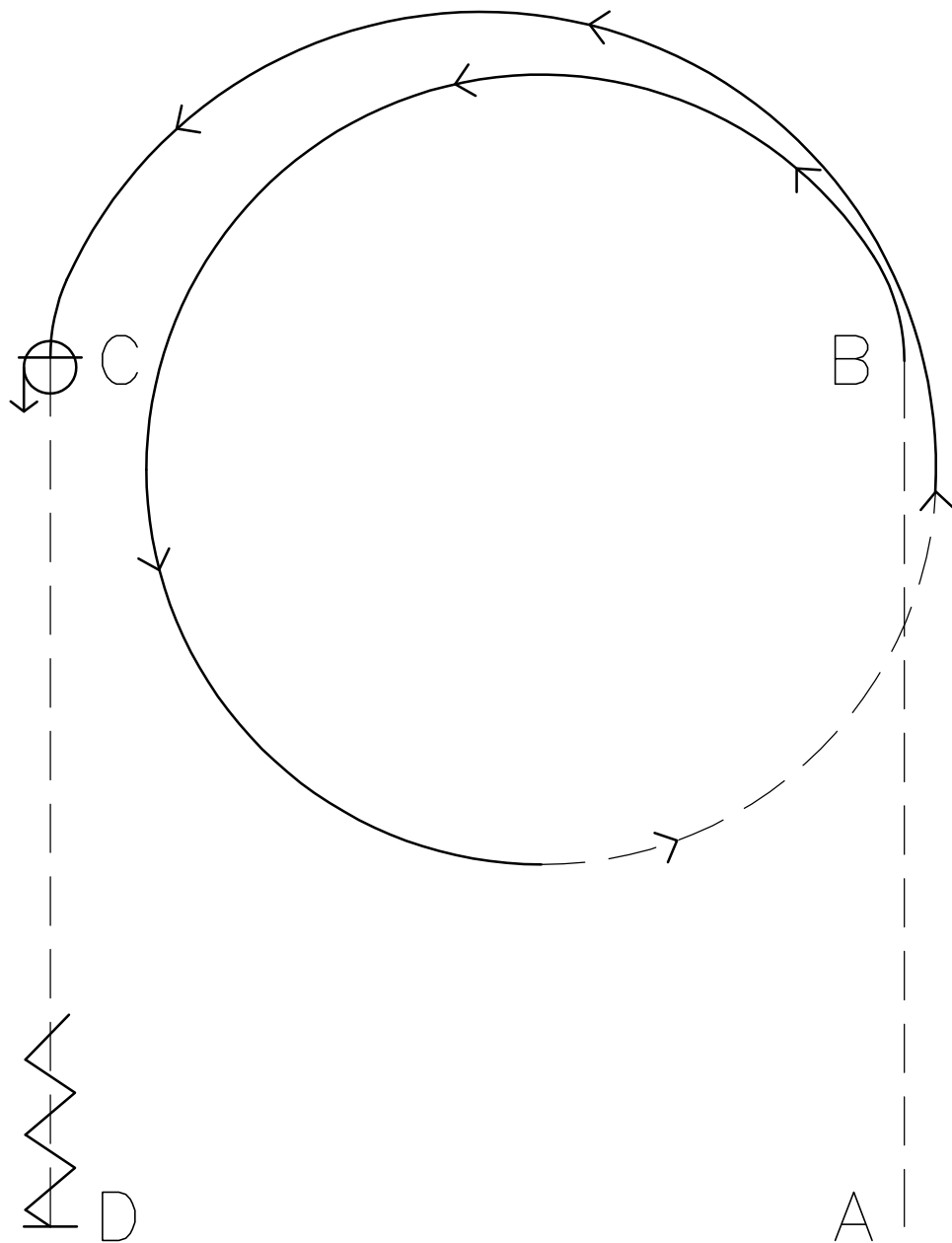
Horsemanship - Age Groups 6-9 & 10-13



1. Jog from A to B.
2. At B, lope a circle on the left lead as shown.
3. Continue on left lead and lope a half circle to C.
4. Stop at C and complete a 360° pivot to the left.
5. Jog from C to D.
6. Stop at D and back 6 steps.

GREELEY SADDLE CLUB

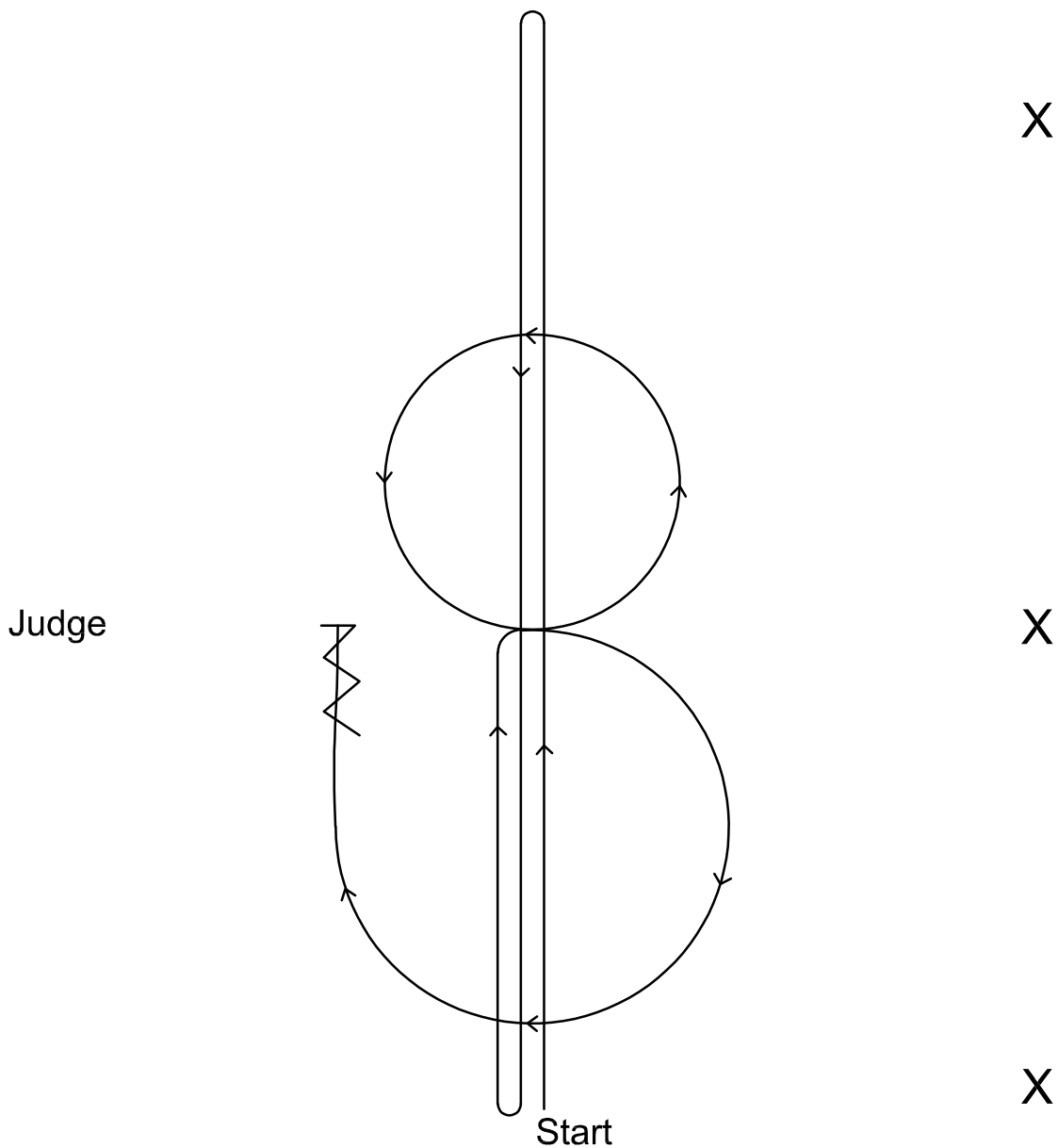
Horsemanship - Age Groups 14-18, 19-39, 40 & Over



1. Jog from A to B.
2. At B, lope 3/4 of a circle on the left lead and then break to a jog as shown.
3. When back at B, lope on the right lead a 1/2 circle to C.
4. Stop at C and complete a 360° pivot to the right.
5. Jog from C to D.
6. Stop at D and back 6 steps.

GREELEY SADDLE CLUB

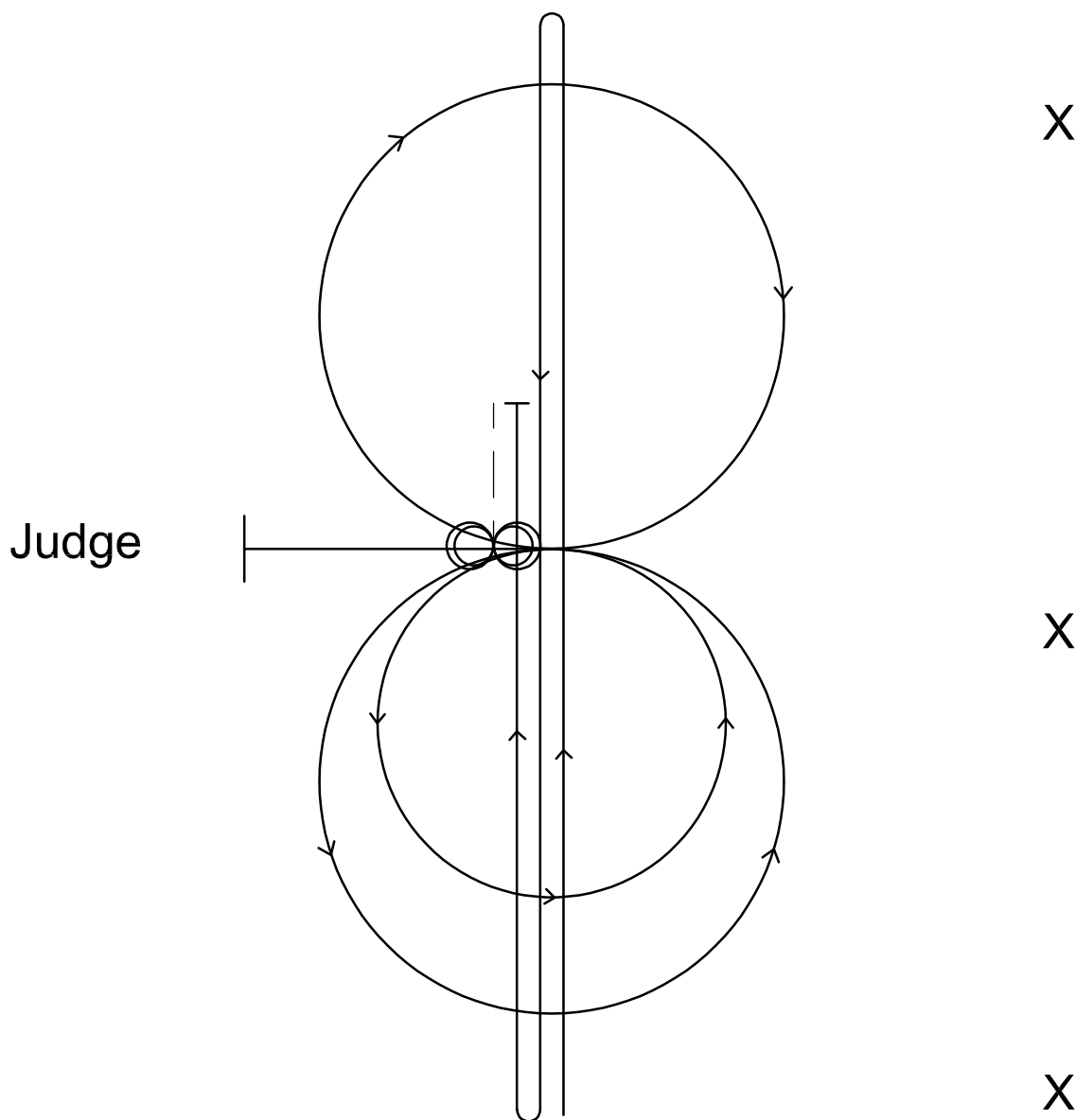
Reining - Age Groups 6-9



1. Run down past the end marker. Stop. Roll back to the left.
2. Run down past the other end marker. Stop. Roll back to the right.
3. Run to the center and stop.
4. Complete a 1/4 turn to the right.
5. Ride a small slow circle to the left.
6. Change leads at the center and ride a larger faster circle to the right.
7. Don't fully close circle and stop at center marker as shown.
8. Back. Hesitate. Ride to judge for inspection.

GREELEY SADDLE CLUB

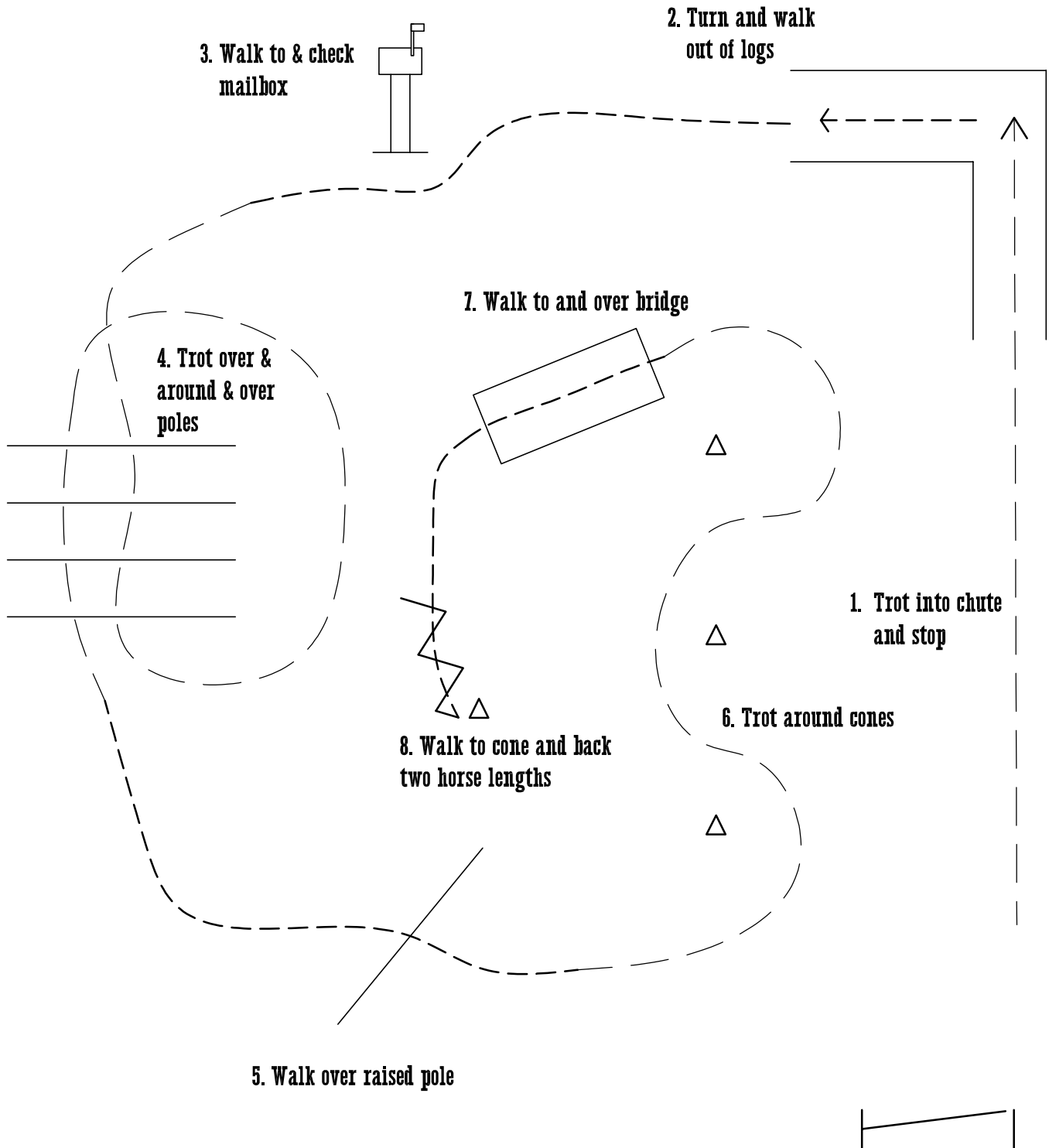
Reining - Age Groups 10-13, 14-18, 19-39, 40 & Over



1. Run down to the far end with speed and perform a left rollback.
2. Run to the opposite end with speed and perform a right rollback.
3. Run past the center marker and stop. Back to the center. Hesitate
4. Complete two spins to the right.
5. Complete two and a quarter spins to the left.
6. Beginning on the left lead, complete a small, slow circle to the left.
7. Change leads at the center.
8. Complete a larger circle with speed to right.
9. Change leads at the center.
10. Complete a larger circle with speed to the left.
11. Ride past the center of the circles and stop. Hesitate to complete pattern.

GREELEY SADDLE CLUB

Trail - Age Groups 5 & Under, 6-9, & Novice



GREELEY SADDLE CLUB

Trail - Age Groups 10-13, 14-18, 19-39, 40 & Over

