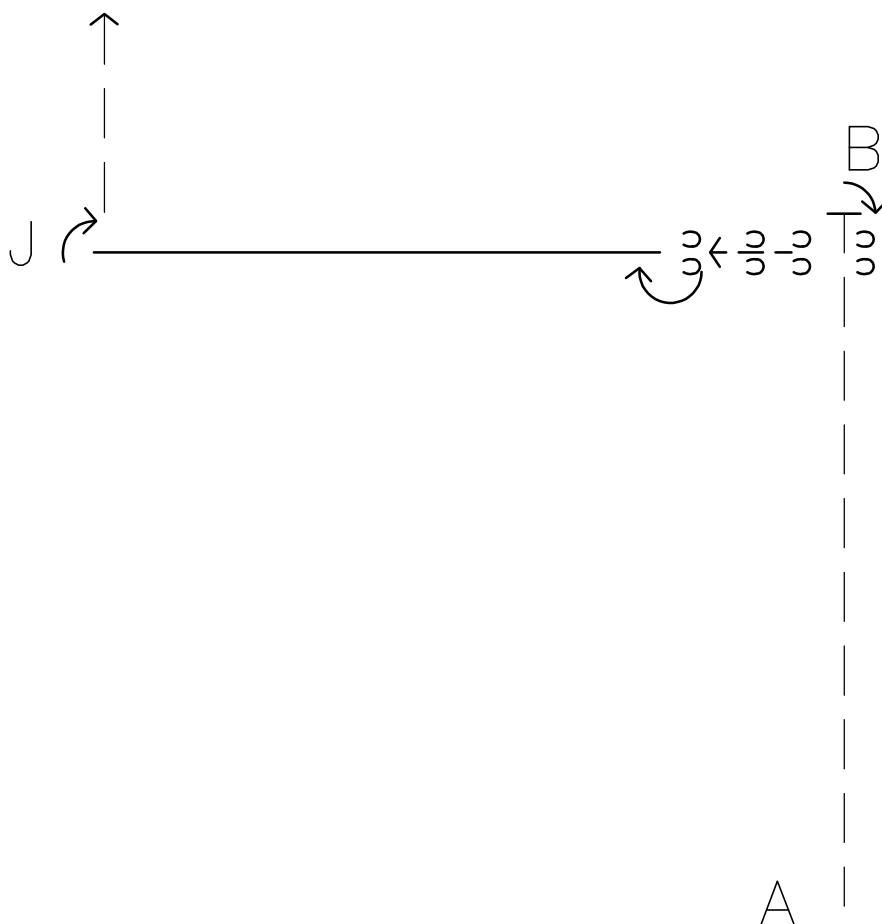


GREELEY SADDLE CLUB

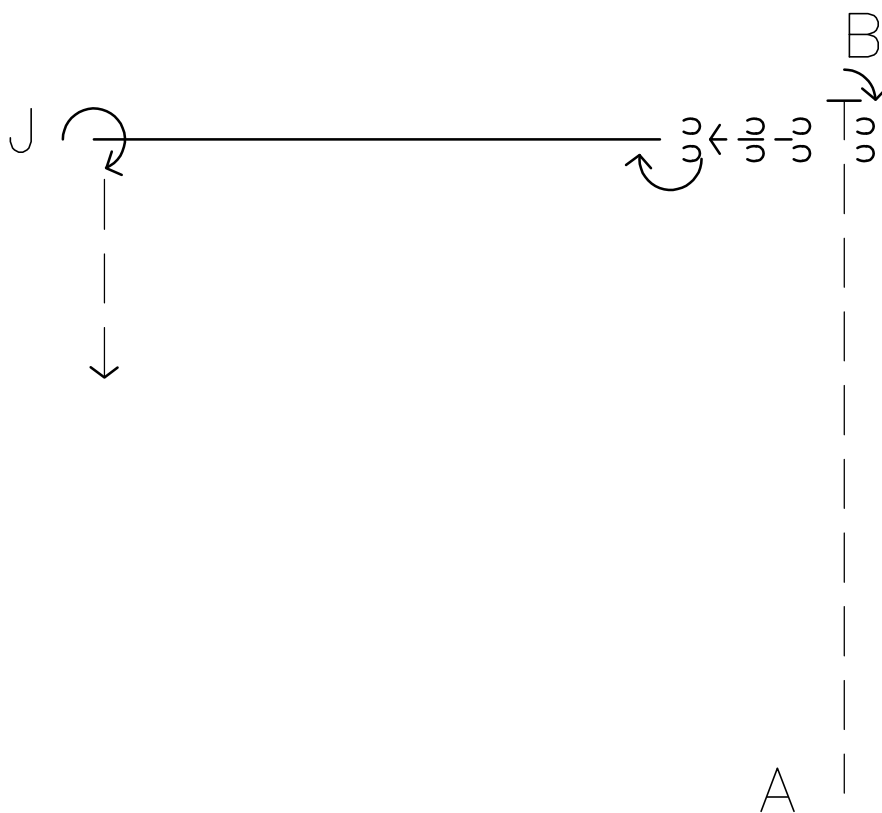
Showmanship - Age Groups 5 & Under, 6-9, & 10-13



1. Start at A. Trot from A to B.
2. Stop at B. Complete a 90° and back 4 steps.
3. Complete a 180° turn and walk to the judge.
4. Stop at the judge and set up for inspection.
5. When dismissed, complete a 90° turn and trot to line up.

GREELEY SADDLE CLUB

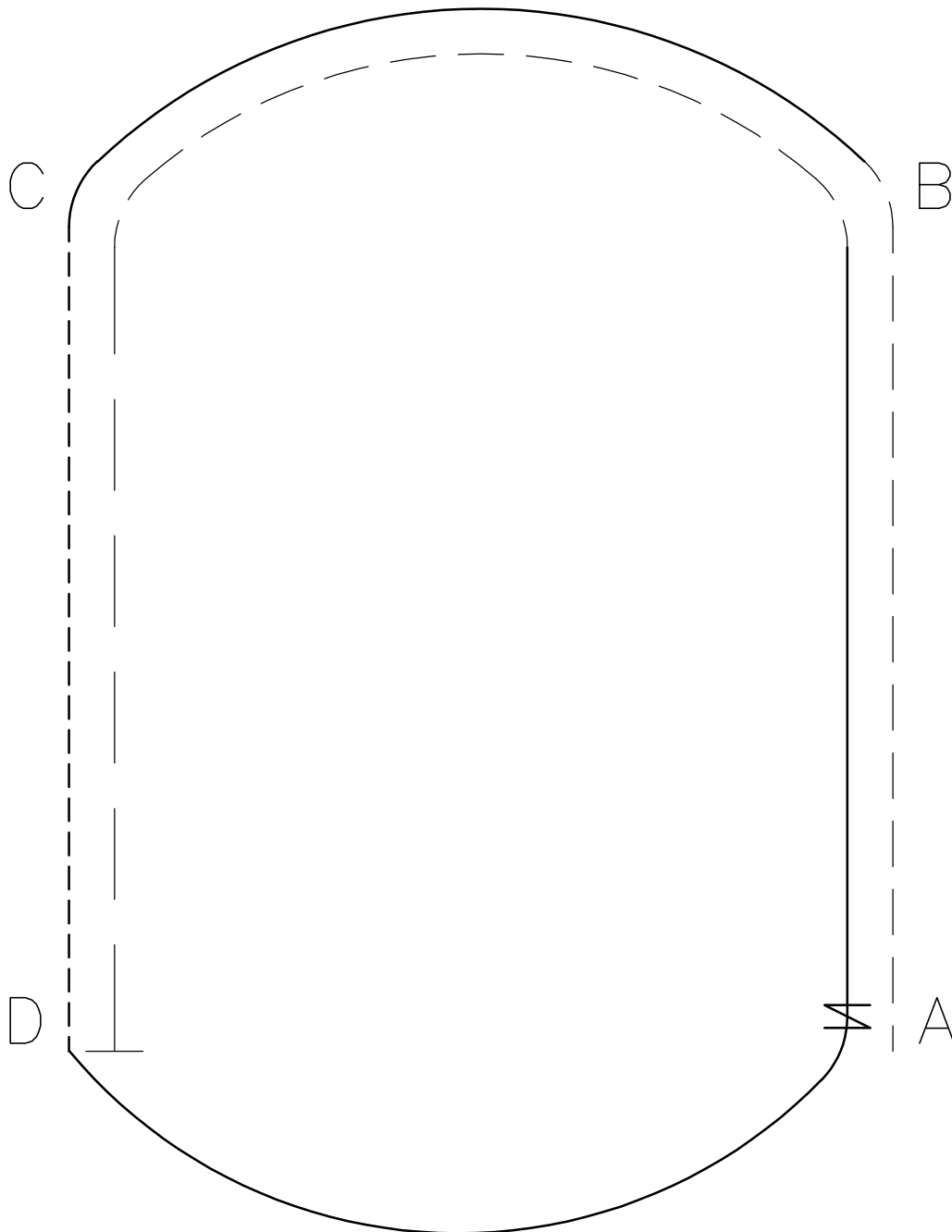
Showmanship - Age Groups 14-18, 19-39, 40 & Over



1. Start at A. Trot from A to B.
2. Stop at B. Complete a 90° and back 4 steps.
3. Complete a 180° turn and walk to the judge.
4. Stop at the judge and set up for inspection.
5. When dismissed, complete a 270° turn and trot to line up.

GREELEY SADDLE CLUB

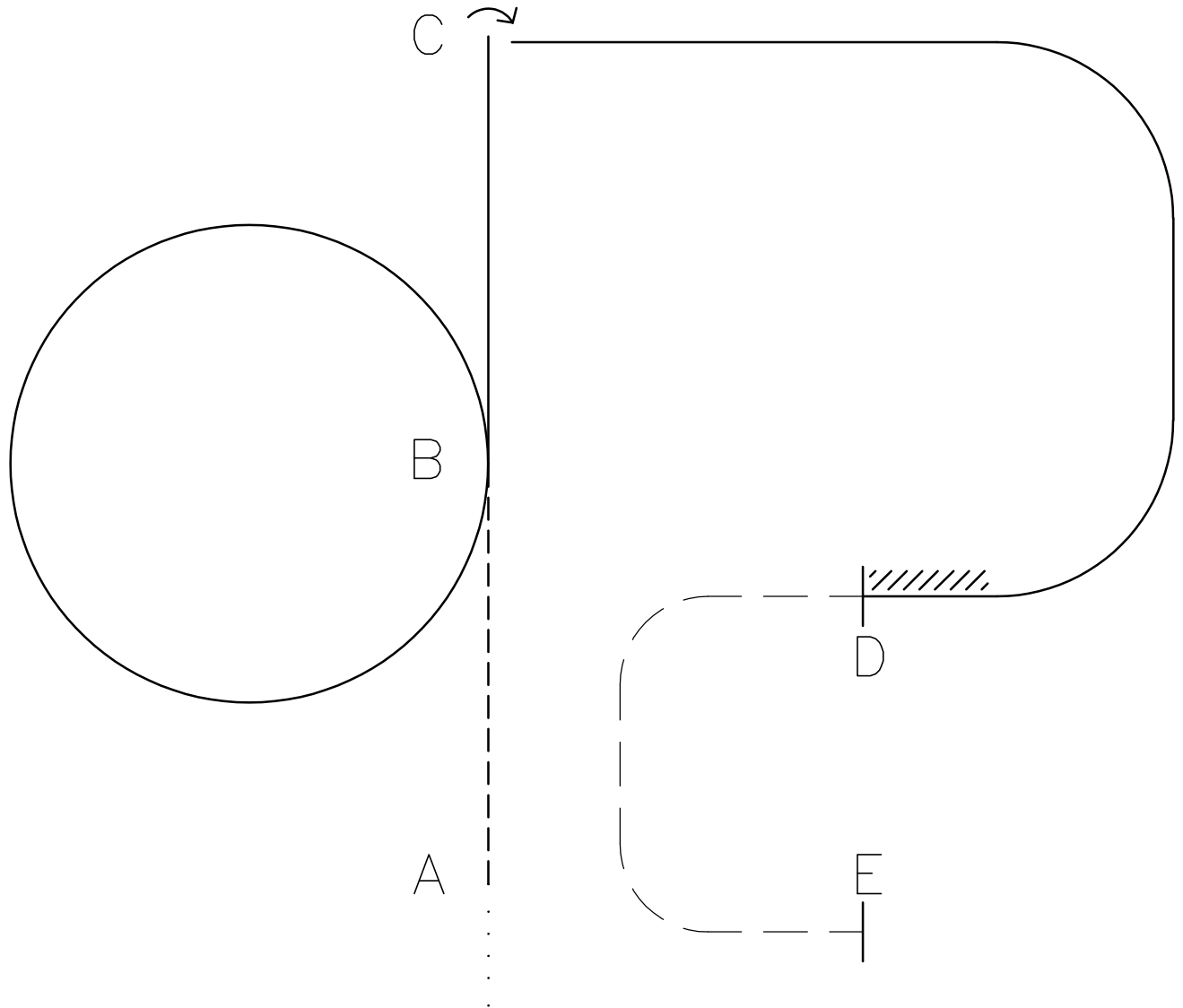
English Equitation - All Ages



1. Posting trot A to B on right diagonal.
2. Canter left lead B to C as shown.
3. Collected trot C to D.
4. Canter left lead D to A as shown.
5. Execute a simple lead change at A and canter right lead to B.
6. Posting trot B to C as shown on the right diagonal.
7. Extended trot C to D and halt at D.

GREELEY SADDLE CLUB

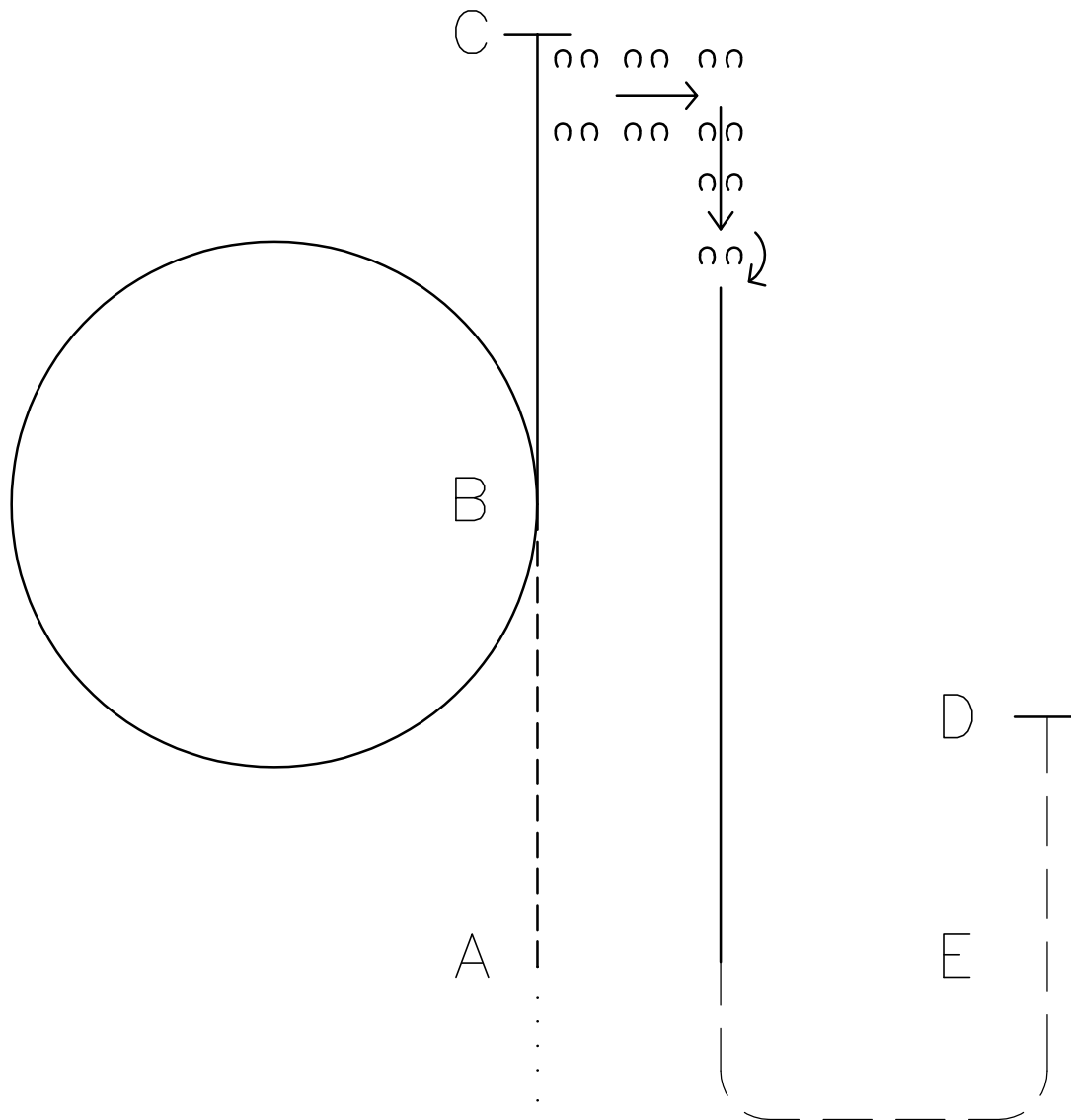
Horsemanship - Age Groups 6-9 & 10-13



1. Start before A. Walk to A.
2. Jog from A to B.
3. Lope a left circle on the left lead around B and on to C.
4. Stop at C. Complete a 90° pivot.
5. Lope on the right lead around towards D as shown.
6. Stop at D. Back 5 steps.
7. Extended job from D to E as shown. Stop at E.

GREELEY SADDLE CLUB

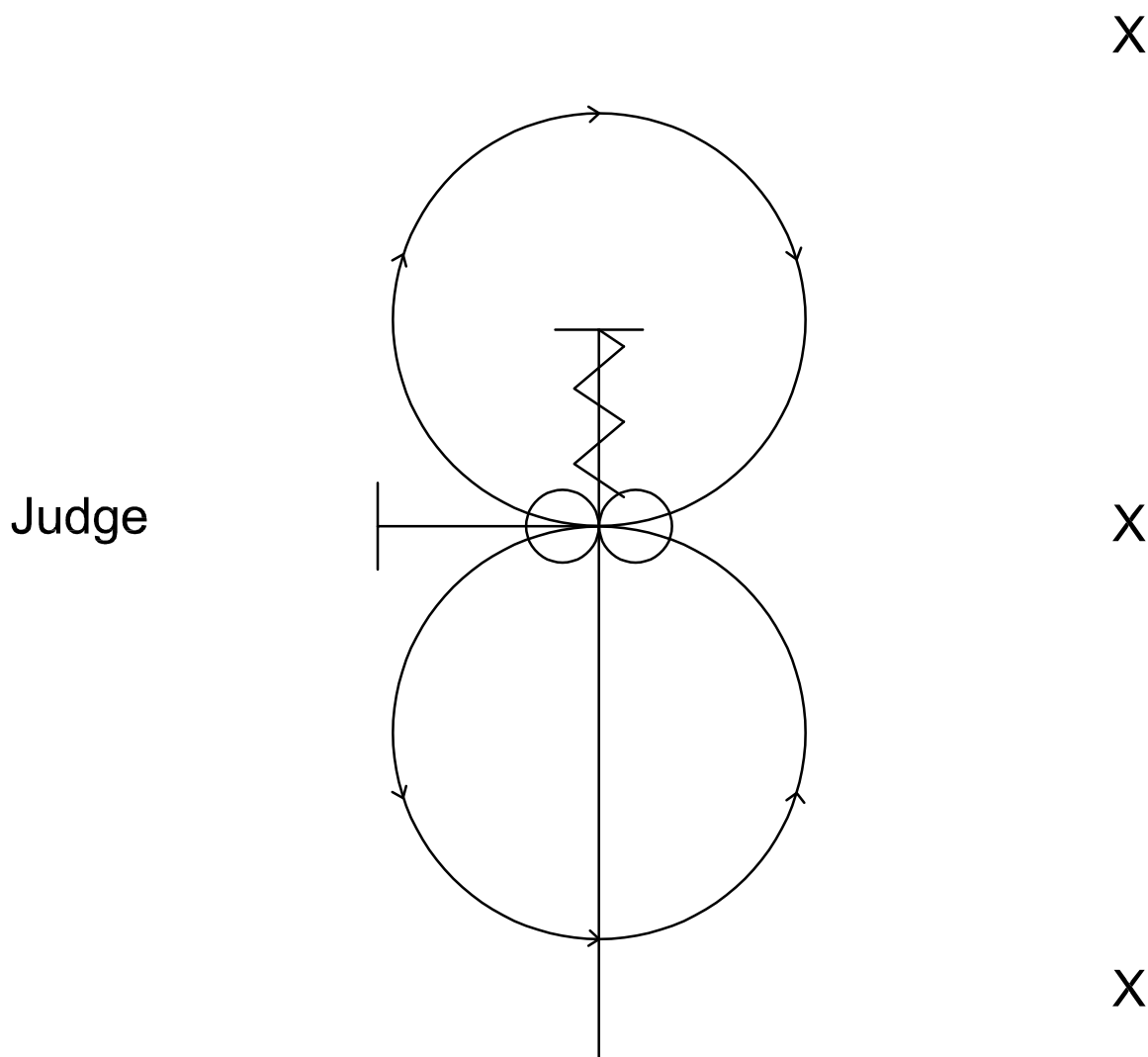
Horsemanship - Age Groups 14-18, 19-39, 40 & Over



1. Start before A. Walk to A.
2. Jog from A to B.
3. Lope a left circle on the left lead around B and on to C.
4. Stop at C. Sidepass to the right.
5. Back 5 steps and complete a 180° pivot to the right.
6. Lope on the right lead until even with E.
7. Extended job from E around to D as shown. Stop at D.

GREELEY SADDLE CLUB

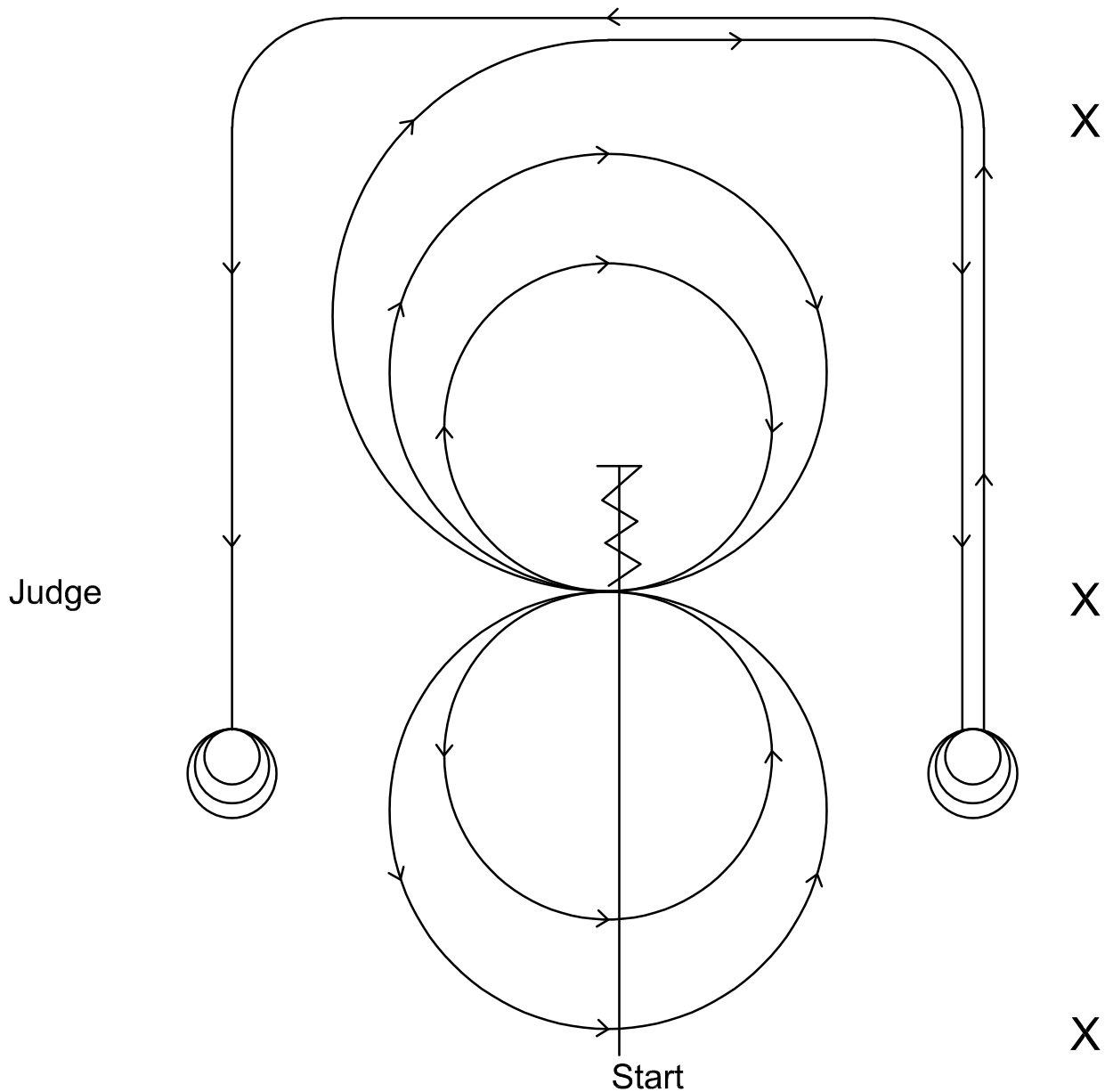
Reining - Age Group 6-9



1. Lope in a straight line up the middle of the arena past the center marker. Stop.
2. Back at least 10 feet to the center.
3. Complete 1 spin to the right.
4. Complete 1 1/4 spins to the left.
5. Lope a figure 8 at moderate speed to the right first.
6. Continue straight for 10 feet.
7. Stop. Walk to the judge for inspection.

GREELEY SADDLE CLUB

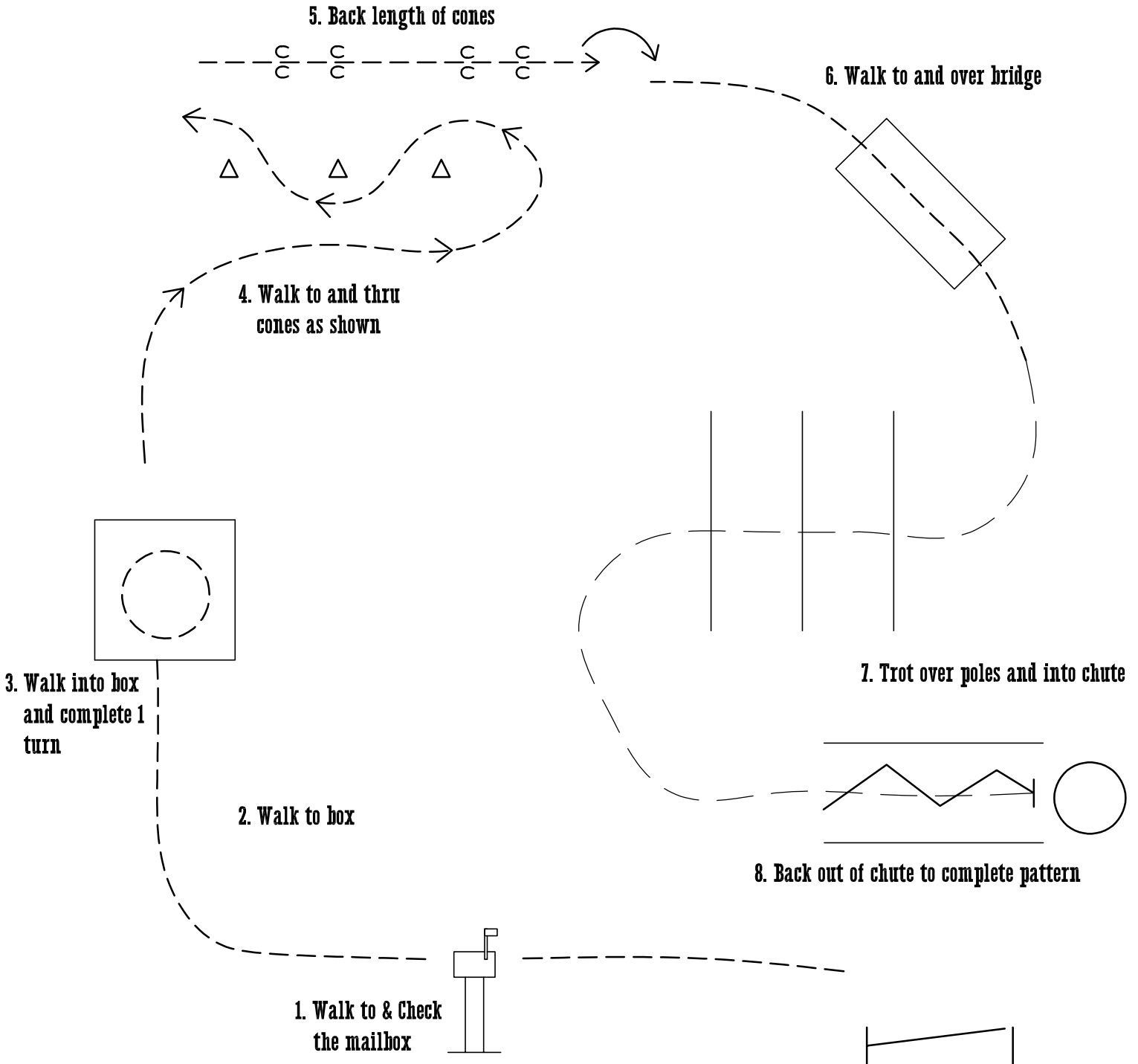
Reining - Age Groups 10-13, 14-18, 19-39, & 40 & Over



1. Start at the end of the arena. Run down the middle past the center marker. Stop.
2. Back at least 10 feet to the center. Complete a $\frac{1}{4}$ turn to the left.
3. Pick up the right lead and complete a large fast circle followed by a small slow circle to the right.
4. Change leads. Complete a large fast circle followed by a small slow circle to the left.
5. Change leads back at the center and begin a circle to the right. Do not close this circle.
6. Run around the end of the arena and down the side past the center marker. Stop.
7. Complete $3\frac{1}{2}$ spins to the right.
8. Continue back down the side of the arena to the other side. Go past the center marker and stop.
9. Complete $3\frac{1}{2}$ spins to the left. Hesitate to complete pattern.

GREELEY SADDLE CLUB

Trail - Age Groups 5 & Under, 6-9, & Novice



GREELEY SADDLE CLUB

Trail - Age Groups 10-13, 14-18, 19-39, 40 & Over

